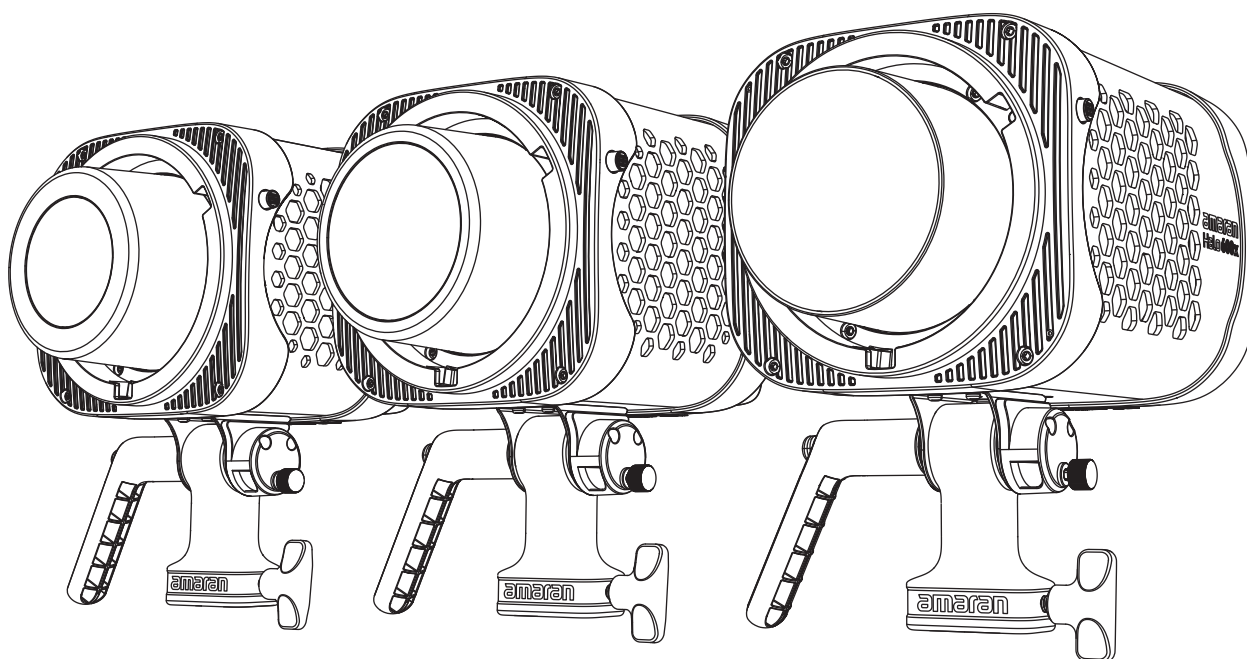


amaran[®]



amaran Halo 200x/300x/600x

Product Manual

English

Table of Content

Introduction.....	03
Components List.....	04
Product Overview	05
Operations	07
1. Power Supply	07
2. Power On/Off	07
3. Light Installation	08
4. Bowens Mount Modifier Installation.....	08
5. Main Menu.....	09
5.1. CCT	09
5.2. FX	09
5.3. Bluetooth Reset.....	09
5.4. Studio Mode.....	10
5.5. Language.....	10
5.6. DMX Control Settings.....	11
5.7. Fan Mode	12
5.8. Firmware Upgrade	12
5.9. Pairing via NFC	13
Using the amaran App	14
Specifications	15
Photometrics	18
Declaration of Toxic and Hazardous Substances in Electronic Information	21
IC	22
FCC	23
UL	24
CSA	25
Important Safety Instructions	26
Disclaimer	28

Introduction

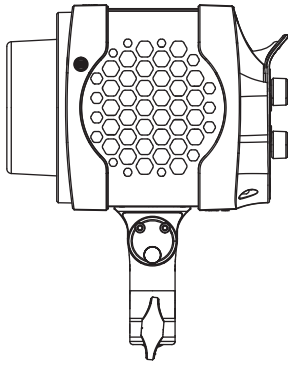
Thank you for purchasing the amaran Halo 200x, amaran Halo 300x, and amaran Halo 600x.

The amaran Halo 200x / 300x / 600x series is designed for creators who require higher output to illuminate medium to large shooting spaces. These bi-color COB lights deliver powerful, even illumination in a compact form. With wide, soft coverage and ultra-bright, accurate output, it's the ideal entry point for lighting larger spaces with consistency precision. Its compact footprint makes it easy to carry and fast to set up – whether you're shooting podcasts, livestreams, product videos, or studio content, the amaran Halo 200x, 300x, and 600x deliver reliable performance that helps simplify your workflow and achieve high-quality results with ease.

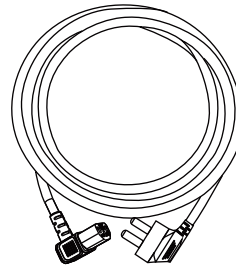
Components List

Please make sure all accessories listed below are complete before using. If not, please contact your sellers immediately.

amaran Halo 200x

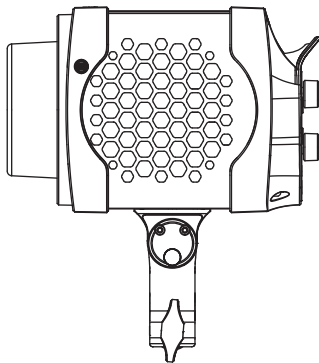


amaran Halo 200x x1

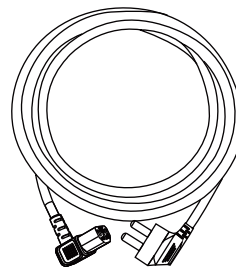


amaran IEC C13
AC Power Cable (5m) x1

amaran Halo 300x

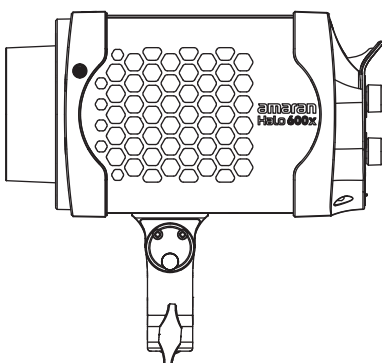


amaran Halo 300x x1

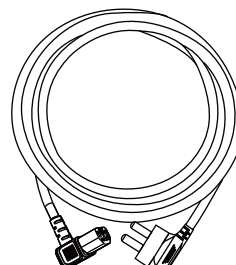


amaran IEC C13
AC Power Cable (5m) x1

amaran Halo 600x



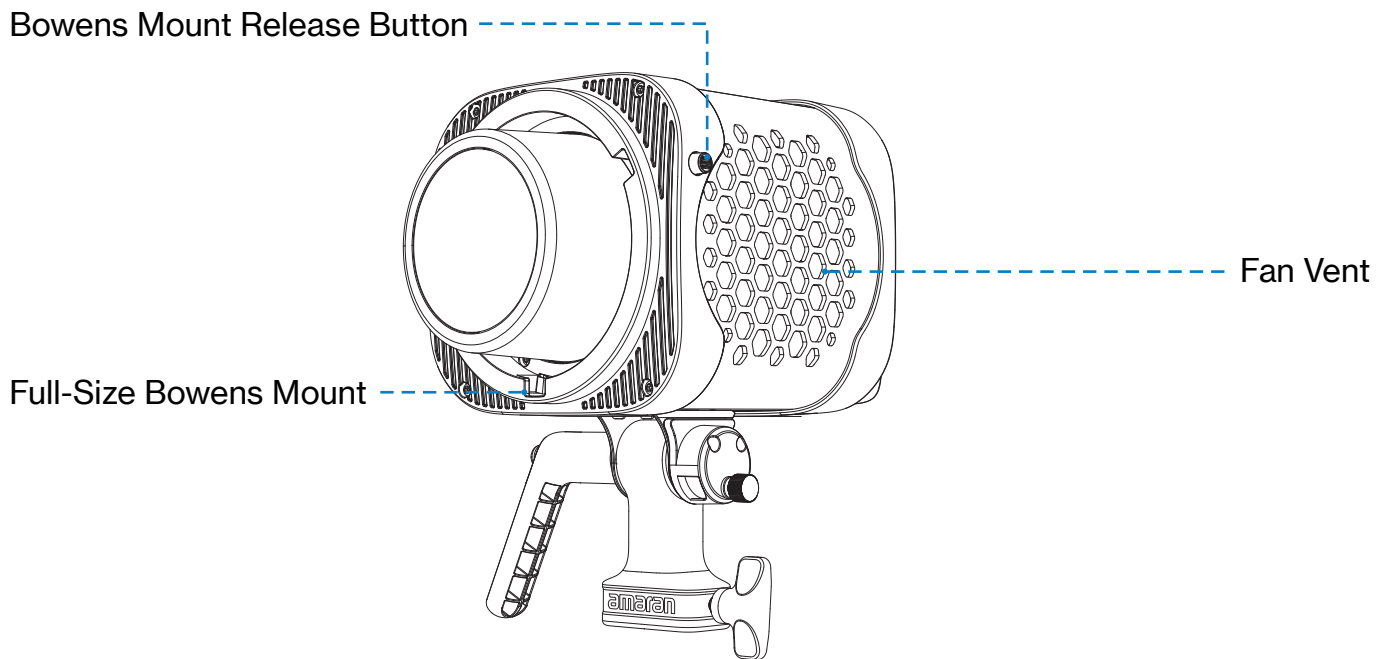
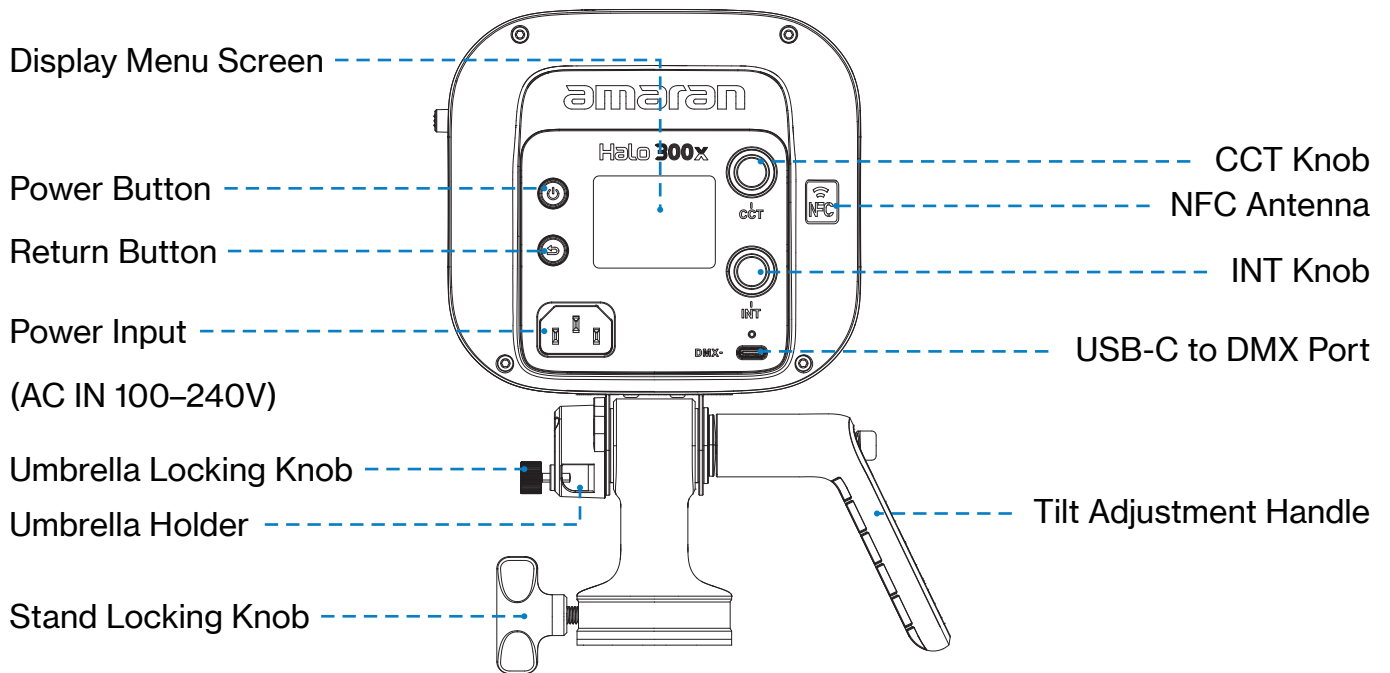
amaran Halo 600x x1



amaran IEC C13
AC Power Cable (5m) x1

Tip: The illustrations in the manual are diagrams for reference only. Due to the continuous development of new versions of the product, if there are any differences between the product and the user manual diagrams, please refer to the product itself.

Product Overview

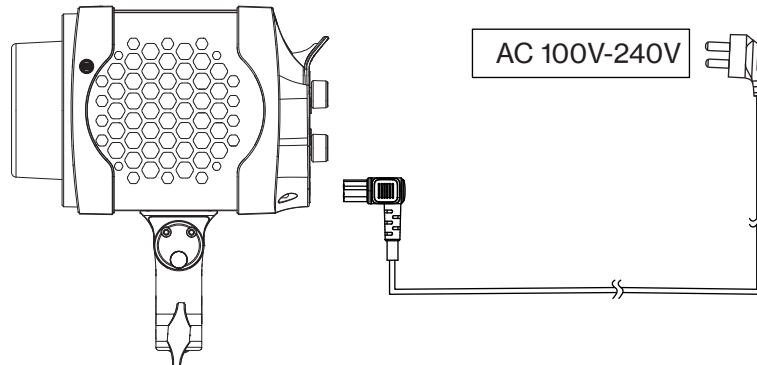


Power Button	Press to turn the light on, press again to turn the light off.
Return Button	Click to return to the previous menu screen.
Display Menu Screen	Displays settings and status of your light.
CCT Knob	In CCT Mode, rotate to adjust CCT. In other menu interfaces, rotate to toggle the menu or adjust values and lighting settings. Press the knob to confirm parameters.
INT Knob	In any interface, rotate to adjust brightness. Press to switch to CCT mode.
Power Input (AC IN 100–240V)	Supports a universal voltage range to provide stable mains power to the light.
USB-C to DMX Port	Connect the USB-C to 5-Pin DMX In&Out Adapter* to achieve wired DMX control. This fixture's USB-C port does not support power delivery or firmware updates.
	<i>*The amaran USB-C to 5-Pin DMX In&Out Adapter is sold separately.</i>
Tilt Adjustment Handle	Used to adjust the tilt angle of the fixture. Turn clockwise to lock and counterclockwise to loosen. Pull out the handle to reposition its angle for easier operation from different directions.
Stand Locking Knob	Secures the fixture to the light stand and prevents wobbling or detachment.
Umbrella Holder	Compatible with umbrella accessories such as soft umbrellas or reflectors with a shaft diameter of up to 9mm.
Umbrella Locking Knob	Tightens to secure the umbrella shaft and prevent slippage.
NFC Antenna	Used for NFC pairing. When a smartphone is brought close to the light's NFC area, it can quickly trigger a Bluetooth connection, enabling seamless pairing and control via the amaran app without the need to manually search for the device.
Full-Size Bowens Mount	Compatible with a variety of full-size, standard Bowens Mount accessories.
Bowens Mount Release Button	Press to release the Bowens Mount accessory.
Fan Vent	Helps the light dissipate heat. Please do not block the fan vent when using the light.

Operations

1. Power Supply

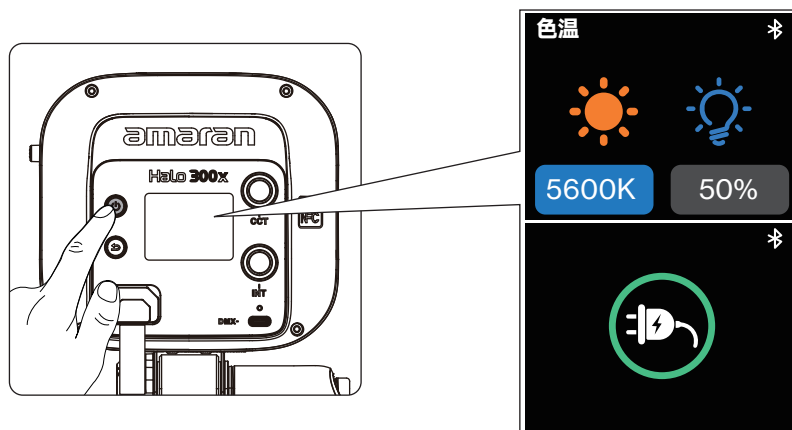
Insert one end of the AC power cable into the light's AC power input port, and the other end into an AC power outlet to supply mains power to the light. Ensure the plugs are securely connected to ensure proper operation.



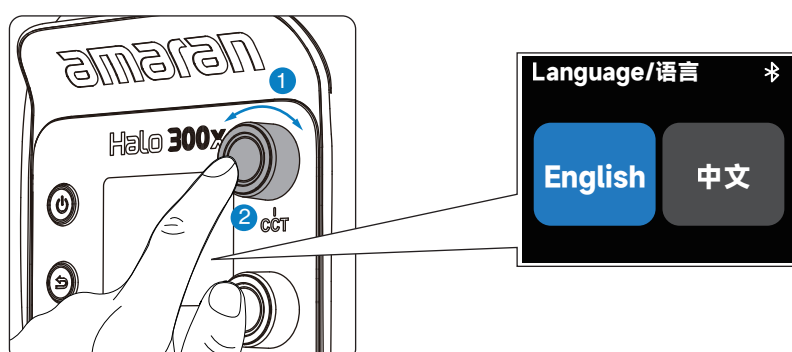
2. Power On/Off

1. After connecting to the power supply, short press the power button to turn on the device, and short press it again to turn off the device. The default mode is CCT mode.

The Power On icon will appear on the menu screen after connecting to power, and will disappear after 30 minutes or when the fixture is turned on.

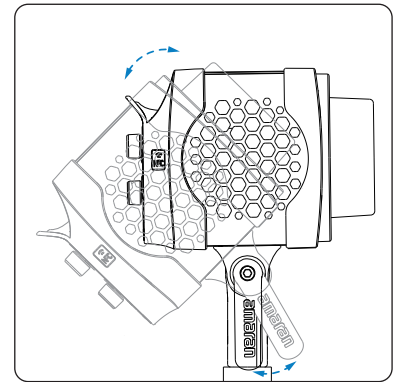
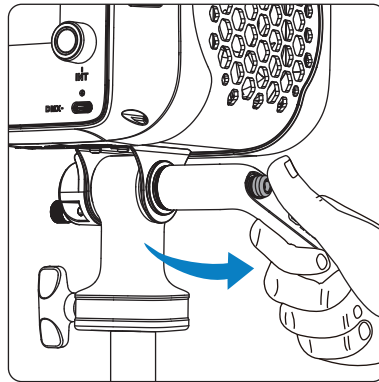
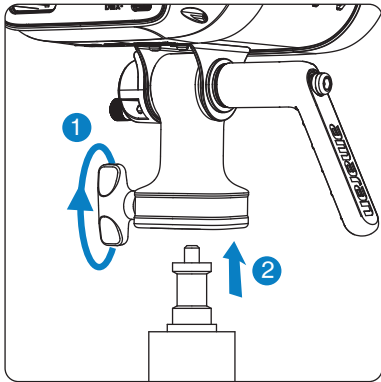


2. You can select your preferred language when you turn the light on for the first time. Rotate the CCT knob to select your language. Click CCT Knob to confirm.



3. Light Installation

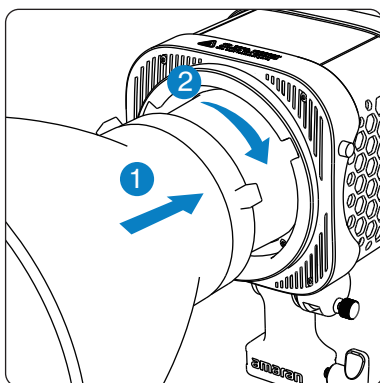
With the mounting bracket installed onto the light, place the end of the mounting bracket onto the light stand and turn the locking knob to secure into place. Adjust the angle of the light and turn the tilting bracket knob to secure into place. Pull out the handle to reposition its angle for easier operation from different directions.



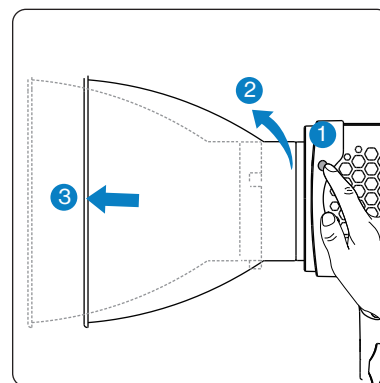
4. Bowens Mount Modifier Installation

1.Modifier Installation: Align the Bowens Mount pins with the Bowens Mount of the fixture. Insert the modifier and rotate clockwise. Installation is complete when the Bowens Mount Release Button pops out.

2.Modifier Removal: Press and hold the Bowens Mount Release Button on the corner of the light. Rotate the modifier counterclockwise to remove.



Modifier Installation



Modifier Removal

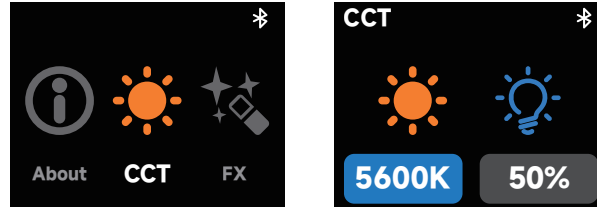
**The amaran Reflector shown in the illustration is sold separately and is not included in the standard package.*

**When replacing with other accessories, please ensure compatibility with the fixture. For detailed compatibility information, refer to the official website.*

5. Main Menu

5.1. CCT

After powering on, the fixture is in CCT mode by default. Rotate the CCT knob on top to adjust the color temperature. Rotate the INT knob on the bottom to adjust the brightness.



1. INT (intensity): Adjust your light's brightness from 0%-100%.
2. CCT (Correlated Color Temperature): Adjust your light's color temperature from warm white (2,700K CCT) to cool white (6,500K CCT).
3. Short press the INT knob to quickly switch to CCT Mode, allowing fast adjustment of color temperature and brightness.
4. In any interface, rotating the INT knob directly adjusts the brightness of the fixture.

5.2. FX

In CCT Mode, press the Back button to return to the main menu.

Rotate the CCT knob and press it to select and enter Effects Mode from the main menu.

Once in Effects Mode, rotate the CCT knob to browse the available effects, and press the knob to enter the selected effect settings.

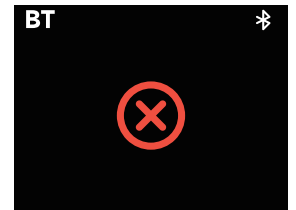
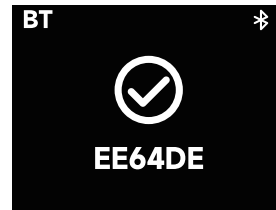
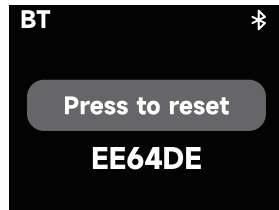
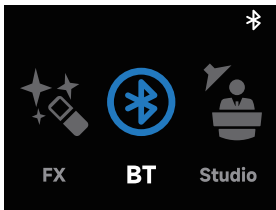


Supported Lighting Effects:

Fireworks	Faulty Bulb	Lightning	TV	Pulsing
Strobe	Explosion	Fire	Paparazzi	/

5.3. Bluetooth Reset

Rotate and press the CCT knob to enter BT mode from the main menu. Hold down on the CCT knob until the end of the progress bar. Release the knob to cancel.



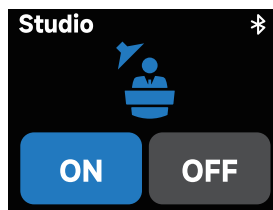
1. Bluetooth reset is successful.
2. Bluetooth reset is unsuccessful. Please reset Bluetooth again.

5.4. Studio Mode

In the main menu, rotate the CCT knob to select Studio Mode, then press the knob to enter the settings interface.

In this mode, rotate the CCT knob to toggle between On and Off, and press the knob to confirm the selection.

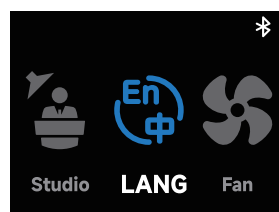
When Studio Mode is enabled, the light will automatically turn on upon connecting to power, without the need to manually press the power button.



5.5. LANG (Language)

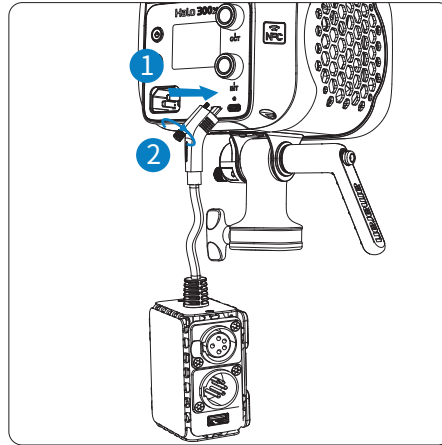
In the main menu, rotate the CCT control knob to select Language, then press the knob to enter the settings interface.

In this menu, rotate the CCT knob to switch between English and Chinese. Press the confirm button to confirm your selection.



5.6. DMX Control Settings

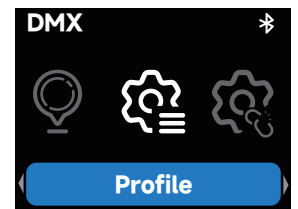
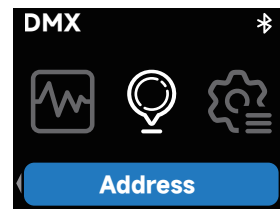
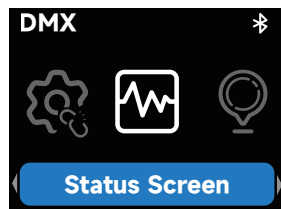
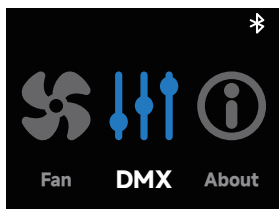
Insert the USB-C connector of the amaran USB-C to 5-Pin DMX In&Out Adapter into the USB-C port of the fixture, and tighten the locking screw to secure the connection. Velcro straps can be used to secure the adapter in an appropriate position, ensuring stability during use. The USB-A port on the adapter provides a 5V/1A power output.



To enter DMX Mode, follow these steps:

- Rotate the CCT knob and press it to select “DMX Mode” from the main menu.
- Once inside, rotate the knob to toggle between the following options:
 - DMX Status Display: View the current DMX address and selected DMX configuration.
 - DMX Address: Set the DMX start address of the fixture, ranging from 1 to 512.
 - DMX Signal Loss Behavior: Choose how the fixture responds to DMX signal loss. Options include: Hold Last State, Instant Off, Fade Out, or Hold for 2 Minutes then Fade Out.
 - DMX Profile: Select the desired DMX channel profile. For detailed configuration files, please refer to the official documentation.

**The amaran USB-C to 5-Pin DMX In&Out Adapter is sold separately.*



5.7. Fan Mode

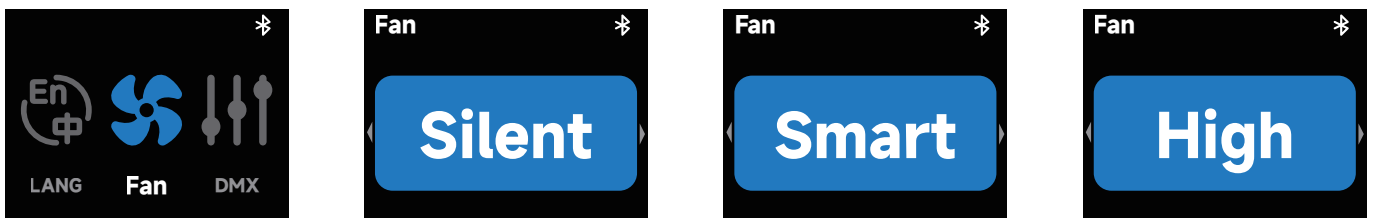
In the main menu, rotate the CCT knob to select Fan Mode, then press the knob to enter the settings interface.

In Fan mode, rotate the dial to toggle between Silent, Smart and High fan mode. Press the knob to confirm your settings.

Silent Mode: The fan will be completely turned off, and the light will not produce any noise. To ensure safe operation, the amaran Halo 200x maximum power will be limited to 40W, the amaran Halo 300x maximum power will be limited to 42W.

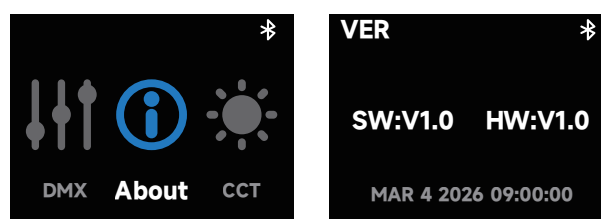
Smart Mode: The fan speed will automatically adjust according to the temperature of the light.

High Mode: The fan runs at maximum speed to provide enhanced cooling performance, ideal for high-load scenarios.



5.8. Firmware Update

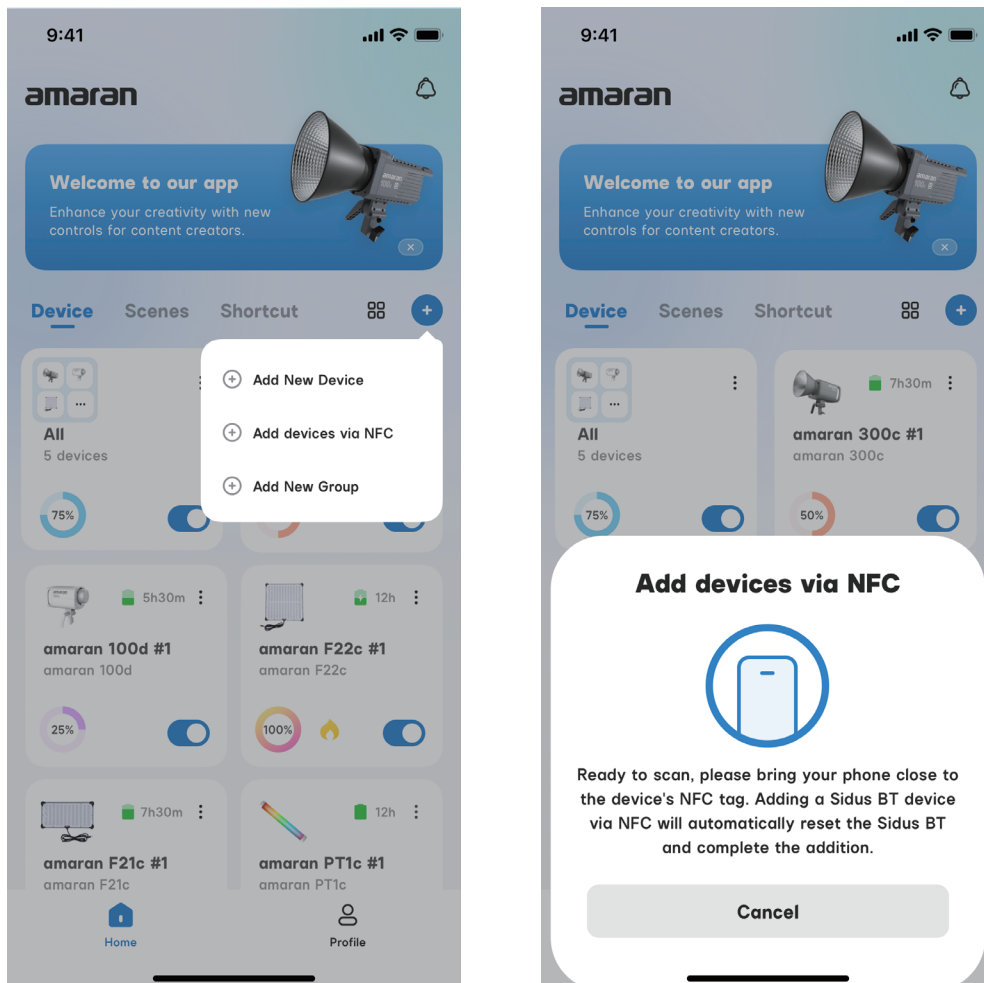
Firmware updates can be performed online via the amaran app, ensuring your device stays up to date with the latest features and performance improvements.



5.9. Pairing via NFC

To pair your light to the amaran app via NFC, open the amaran mobile app, tap the + sign, and select NFC Add Device. Place the NFC sensor area of your phone to the fixture's NFC tag. Hold your phone still until the fixture has been detected and successfully paired before removing your phone.

Even if the light is powered off, pairing via NFC is still supported. The light will automatically connect to the app once it is turned on.



Using the amaran App

You can download the amaran mobile app from the iOS App Store, Google Play Store, and other platforms for enhancing the functionality of the light. You can download the amaran desktop app for Mac and Windows from the amaran website. Please visit amarancreators.com for more details on how to use the app to control your amaran lights.



amaran APP



amarancreators.com

Specifications

amaran Halo 200x			
Power Consumption	200W (Max)	Power Output	179W (Max)
CCT	2,700K - 6,500K	Luminous Flux	18,100 lumens @5600K
CRI	96+	TLCI	97+
TM-30Rf(Average)	94	TM-30Rg(Average)	102
SSI(P3200)	84	SSI(D56)	74
Operating Voltage	AC 100V - 240V/ 50-60Hz	Power Supply Methods	AC Power Supply
Beam Angle	85°	IP Rating	IP20
Control Methods	On-board, amaran App, *DMX Control	Firmware Upgradeable	amaran App
Screen Type	TFT	Wireless Operating Rang (Bluetooth)	≤80m / ≤262.5ft
Cooling Method	Active Cooling	Max Noise Level @ Smart Mode	≤28dBA @25°C
Operating Temperature	-10°C - 40°C / 14°F - 104°F	Storage Temperature	-20°C - 80°C / -4°F - 176°F
Fixture Dimensions (with Mount)	18.0 × 14.1 × 16.5 cm 7.09 × 5.55 × 6.50 in	Fixture Dimensions (without Mount)	18.0 × 14.1 × 13.3 cm 7.09 × 5.55 × 5.24 in
Fixture Weight	1.95 kg / 4.30 lb	AC Power Cable Length	5 m / 16.40 ft

amaran Halo 300x			
Power Consumption	305W (Max)	Power Output	276W (Max)
CCT	2,700K - 6,500K	Luminous Flux	29,954 lumens @5600K
CRI	96+	TLCI	97+
TM-30Rf(Average)	94	TM-30Rg(Average)	102
SSI(P3200)	84	SSI(D56)	74
Operating Voltage	AC 100V - 240V/ 50-60Hz	Power Supply Methods	AC Power Supply
Beam Angle	85°	IP Rating	IP20
Control Methods	On-board, amaran App, *DMX Control	Firmware Upgradeable	amaran App
Screen Type	TFT	Wireless Operating Rang (Bluetooth)	≤80m / ≤262.5ft
Cooling Method	Active Cooling	Max Noise Level @ Smart Mode	≤28dBA @25°C
Operating Temperature	-10°C - 40°C / 14°F - 104°F	Storage Temperature	-20°C - 80°C / -4°F - 176°F
Fixture Dimensions (with Mount)	22.0 × 14.1 × 16.5 cm 8.66 × 5.55 × 6.50 in	Fixture Dimensions (without Mount)	22.0 × 14.1 × 13.3 cm 8.66 × 5.55 × 5.24 in
Fixture Weight	2.30 kg / 5.07 lb	AC Power Cable Length	5 m / 16.40 ft

amaran Halo 600x			
Power Consumption	610W (Max)	Power Output	545W (Max)
CCT	2,700K - 6,500K	Luminous Flux	62,000 lumens @5600K
CRI	96+	TLCI	97+
TM-30Rf(Average)	94	TM-30Rg(Average)	102
SSI(P3200)	84	SSI(D56)	74
Operating Voltage	AC 100V - 240V/ 50-60Hz	Power Supply Methods	AC Power Supply
Beam Angle	85°	IP Rating	IP20
Control Methods	On-board, amaran App, *DMX Control	Firmware Upgradeable	amaran App
Screen Type	TFT	Wireless Operating Rang (Bluetooth)	≤80m / ≤262.5ft
Cooling Method	Active Cooling	Max Noise Level @ Smart Mode	≤28dBA @25°C
Operating Temperature	-10°C - 40°C / 14°F - 104°F	Storage Temperature	-20°C - 80°C / -4°F - 176°F
Fixture Dimensions (with Mount)	24.2 × 14.1 × 16.5 cm 9.53 × 5.55 × 6.50 in	Fixture Dimensions (without Mount)	24.2 × 14.1 × 13.3 cm 9.53 × 5.55 × 5.24 in
Fixture Weight	2.91 kg / 6.42 lb	AC Power Cable Length	5 m / 16.40 ft

**The amaran USB-C to 5-Pin DMX In& Out Adapter is sold separately.*

**The above technical specifications are from the Aputure laboratory, and there may be some variation between individual units.*

Photometrics

amaran Halo 200x							
Dis.	CCT	No Accessories	Light Dome 90	Reflector	Fresnel Spot 15°	Fresnel Flood 45°	
1m	2,700K	7,800 lux	7,090 lux	22,000 lux	69,800 lux	12,500 lux	
		725 fc	659 fc	2,044 fc	6,485 fc	1,161 fc	
	3,200K	9,460 lux	8,620 lux	26,730 lux	84,900 lux	15,210 lux	
		879 fc	801 fc	2,483 fc	7,887 fc	1,413 fc	
	4,300K	10,500 lux	9,620 lux	29,800 lux	94,800 lux	17,000 lux	
		975 fc	894 fc	2,768 fc	8,807 fc	1,579 fc	
	5,600K	10,530 lux	9,670 lux	29,980 lux	95,600 lux	17,120 lux	
		978 fc	898 fc	2,785 fc	8,881 fc	1,590 fc	
	6,500K	9,800 lux	9,010 lux	27,930 lux	89,100 lux	15,970 lux	
		910 fc	817 fc	2,595 fc	8,278 fc	1,484 fc	
	3m	2,700K	881 lux	489 lux	2,136 lux	9,600 lux	1,452 lux
			82 fc	45 fc	198 fc	892 fc	135 fc
3,200K		1,066 lux	595 lux	2,594 lux	11,680 lux	1,767 lux	
		99 fc	55 fc	241 fc	1,085 fc	164 fc	
4,300K		1,184 lux	662 lux	2,889 lux	13,030 lux	1,974 lux	
		110 fc	62 fc	268 fc	1,211 fc	183 fc	
5,600K		1,187 lux	666 lux	2,901 lux	13,130 lux	1,988 lux	
		110 fc	62 fc	270 fc	1,220 fc	185 fc	
6,500K		1,104 lux	621 lux	2,705 lux	12,240 lux	1,854 lux	
		103 fc	58 fc	251 fc	1,137 fc	172 fc	
5m		2,700K	358 lux	175 lux	746 lux	3,360 lux	530 lux
			33 fc	16 fc	69 fc	312 fc	49 fc
	3,200K	441 lux	216 lux	921 lux	4,160 lux	656 lux	
		41 fc	20 fc	86 fc	386 fc	61 fc	
	4,300K	495 lux	244 lux	1,038 lux	4,710 lux	743 lux	
		46 fc	23 fc	96 fc	438 fc	69 fc	
	5,600K	503 lux	248 lux	1,054 lux	4,780 lux	755 lux	
		47 fc	23 fc	98 fc	444 fc	70 fc	
	6,500K	471 lux	233 lux	988 lux	4,490 lux	708 lux	
		44 fc	22 fc	92 fc	417 fc	66 fc	

amaran Halo 300x							
Dis.	CCT	No Accessories	Light Dome 90	Reflector	Fresnel Spot 15°	Fresnel Flood 45°	
1m	2,700K	11,850 lux	11,530 lux	38,100 lux	108,900 lux	20,290 lux	
		1,101 fc	1,071 fc	3,540 fc	10,117 fc	1,885 fc	
	3,200K	14,600 lux	14,250 lux	47,200 lux	135,100 lux	25,060 lux	
		1,356 fc	1,324 fc	4,385 fc	12,551 fc	2,328 fc	
	4,300K	16,200 lux	15,850 lux	52,600 lux	151,100 lux	27,920 lux	
		1,505 fc	1,473 fc	4,887 fc	14,038 fc	2,594 fc	
	5,600K	16,120 lux	15,890 lux	52,600 lux	151,300 lux	27,870 lux	
		1,498 fc	1,476 fc	4,887 fc	14,056 fc	2,589 fc	
	6,500K	14,360 lux	14,140 lux	46,800 lux	134,700 lux	24,780 lux	
		1,334 fc	1,314 fc	4,348 fc	12,514 fc	2,302 fc	
	3m	2,700K	1,335 lux	808 lux	3,630 lux	14,040 lux	2,377 lux
			124 fc	75 fc	337 fc	1,304 fc	221 fc
3,200K		1,647 lux	999 lux	4,480 lux	17,380 lux	2,943 lux	
		153 fc	93 fc	416 fc	1,615 fc	273fc	
4,300K		1,827 lux	1,113 lux	5,000 lux	19,400 lux	3,280 lux	
		170 fc	103 fc	465 fc	1,802 fc	305 fc	
5,600K		1,819 lux	1,111 lux	5,000 lux	19,390 lux	3,280 lux	
		169 fc	103 fc	465 fc	1,801 fc	305 fc	
6,500K		1,515 lux	989 lux	4,450 lux	17,270 lux	2,920 lux	
		150 fc	92 fc	413 fc	1,604 fc	271 fc	
5m		2,700K	554 lux	293 lux	1,292 lux	4,900 lux	889 lux
			51 fc	27 fc	120 fc	455 fc	83 fc
	3,200K	685 lux	364 lux	1,602 lux	6,080 lux	1,103 lux	
		64 fc	34 fc	149 fc	565 fc	102 fc	
	4,300K	768 lux	410 lux	1,803 lux	6,850 lux	1,241 lux	
		71 fc	38 fc	168 fc	636 fc	115 fc	
	5,600K	763 lux	408 lux	1,796 lux	6,830 lux	1,236 lux	
		71 fc	38 fc	167 fc	635 fc	115 fc	
	6,500K	683 lux	366 lux	1,610 lux	6,120 lux	1,108 lux	
		63 fc	34 fc	150 fc	569 fc	103 fc	

amaran Halo 600x							
Dis.	CCT	No Accessories	Light Dome 90	Reflector	Fresnel Spot 15°	Fresnel Flood 45°	
1m	2,700K	23,600 lux	21,590 lux	72,500 lux	184,300 lux	38,200 lux	
		2,192 fc	2,006 fc	6,735 fc	17,122 fc	3,549 fc	
	3,200K	27,920 lux	25,590 lux	86,400 lux	219,600 lux	45,200 lux	
		2,594 fc	2,377 fc	8,027 fc	20,401 fc	4,199 fc	
	4,300K	32,000 lux	29,700 lux	99,900 lux	253,800 lux	51,800 lux	
		2,973 fc	2,759 fc	9,281 fc	23,579 fc	4,812 fc	
	5,600K	32,500 lux	30,300 lux	102,100 lux	259,100 lux	52,700 lux	
		3,019 fc	2,815 fc	9,485 fc	24,071 fc	4,896 fc	
	6,500K	31,200 lux	29,300 lux	98,400 lux	249,400 lux	50,600 lux	
		2,899 fc	2,722 fc	9,142 fc	23,170 fc	4,701 fc	
	3m	2,700K	2,627 lux	1,485 lux	6,900 lux	22,530 lux	4,460 lux
			244 fc	138 fc	641 fc	2,093 fc	414 fc
3,200K		3,100 lux	1,767 lux	8,200 lux	26,750 lux	5,290 lux	
		288 fc	164 fc	762 fc	2,485 fc	491fc	
4,300K		3,550 lux	2,042 lux	9,480 lux	31,000 lux	6,080 lux	
		330 fc	190 fc	881 fc	2,880 fc	565 fc	
5,600K		3,610 lux	2,087 lux	9,680 lux	31,600 lux	6,190 lux	
		335 fc	194 fc	889 fc	2,936 fc	575 fc	
6,500K		3,460 lux	2,012 lux	9,340 lux	30,500 lux	5,950 lux	
		321 fc	187 fc	868 fc	2,834 fc	553 fc	
5m		2,700K	1,094 lux	566 lux	2,519 lux	7,970 lux	1,663 lux
			102 fc	53 fc	234 fc	740 fc	154 fc
	3,200K	1,280 lux	662 lux	2,948 lux	9,350 lux	1,949 lux	
		119 fc	62 fc	274 fc	869 fc	181 fc	
	4,300K	1,475 lux	768 lux	3,420 lux	10,840 lux	2,257 lux	
		137 fc	71 fc	318 fc	1,007 fc	210 fc	
	5,600K	1,494 lux	782 lux	3,480 lux	11,030 lux	2,292 lux	
		139 fc	73 fc	323 fc	1,025 fc	213 fc	
	6,500K	1,461 lux	766 lux	3,410 lux	10,780 lux	2,242 lux	
		136 fc	71 fc	317 fc	1,001 fc	208 fc	

*The above illuminance data is from the Aputure laboratory, and there may be some variation between individual units.

Declaration of Toxic and Hazardous Substances in Electronic Information

Component	Toxic and Hazardous Substances or Elements					
	Lead (Pb)	Mercury (Hg)	Cadmium (Cd)	Hexavalent chromium (Cr VI)	Polybrominated biphenyls (PBB)	Polybrominated diphenyl ethers (PBDE)
PCB	X	○	○	○	○	○
Plastic	○	○	○	○	○	○
Metal	X	○	○	○	○	○
Accessories	○	○	○	○	○	○

This table is prepared in accordance with the provisions of SJ/T 11364.

O: Indicates that the content of the toxic and hazardous substance in all homogeneous materials of the component is below the limit specified by GB/T 26572.

X: Indicates that the content of the toxic and hazardous substance exceeds the limit specified by GB/T 26572 in at least one homogeneous material of the component.

The information in this table is provided to suppliers in the form of data and testing results that comply with RoHS environmental requirements.

IC

This device complies with CAN ICES-003 (B)/NMB-003(B) and CAN RSS-216 / CNR-216.

This device contains licence-exempt transmitter(s)/receiver(s) that comply with Innovation, Science and Economic Development Canada's licence-exempt RSS(s). Operation is subject to the following two conditions:

(1) This device may not cause interference.

(2) This device must accept any interference, including interference that may cause undesired operation of the device.

Cet appareil est conforme à la norme CAN ICES-003 (B)/NMB-003 (B) et CAN RSS-216 / CNR-216.

Cet appareil contient des émetteurs / récepteurs exempt (s) de licence qui sont conformes aux RSS exemptes de licence d'Innovation, Sciences et Développement économique Canada. Son fonctionnement est soumis aux deux conditions suivantes:

(1) Cet appareil ne doit pas provoquer d'interférences.

(2) Cet appareil doit accepter toute interférence, y compris les interférences susceptibles de provoquer un fonctionnement indésirable de l'appareil.

This equipment complies with IC radiation exposure limits set forth for an uncontrolled environment.

Cet équipement est conforme aux limites d'exposition aux radiations de la IC définies pour un environnement non contrôlé.

FCC

FCC regulatory conformance:

This device complies with Part 15 of the FCC Rules. Operation is subject to the following two conditions:

- (1) This device may not cause harmful interference.
- (2) This device must accept any interference received, including interference that may cause undesired operation.

NOTE

This equipment has been tested and found to comply with the limits for a Class B digital device, pursuant to part 15 of the FCC Rules. These limits are designed to provide reasonable protection against harmful interference in a residential installation.

This equipment generates uses and can radiate radio frequency energy and, if not installed and used in accordance with the instructions, may cause harmful interference to radio communications. However, there is no guarantee that interference will not occur in a particular installation. If this equipment does cause harmful interference to radio or television reception, which can be determined by turning the equipment off and on, the user is encouraged to try to correct the interference by one or more of the following measures:

- Reorient or relocate the receiving antenna.
- Increase the separation between the equipment and receiver.
- Connect the equipment into an outlet on a circuit different from that to which the receiver is connected.
- Consult the dealer or an experienced radio/TV technician for help

NOTE

The manufacturer is not responsible for any radio or TV interference caused by unauthorized modifications to this equipment. Such modifications could void the user's authority to operate the equipment.

This equipment complies with FCC radiation exposure limits set forth for an uncontrolled environment.

UL

NOT FOR RESIDENTIAL USE

NON DESTINÉ À UN USAGE DOMESTIQUE

Notice: This control circuit is not isolated – see installation instructions

Note: ce circuit de commande n'est pas isolé - voir les instructions d'installation

NOT FOR HOUSEHOLD USE

NON DESTINÉ À UN USAGE DOMESTIQUE

DISCONNECT POWER BEFORE SERVICING

COUPER L'ALIMENTATION AVANT L'ENTRETIEN

Important Safety Instructions

When using the amaran Halo 200x, 300x and 600x, basic safety precautions should always be followed, including the following:

1. Read and understand all instructions before using the fixture.
2. Close supervision is necessary when any fixture is used by or near children. Do not leave the fixture unattended while in use.
3. Care must be taken as burns can occur from touching hot surfaces.
4. Do not operate the fixture if any power cable is damaged, or if the fixture has been dropped or damaged, until it has been examined by qualified service personnel.
5. Position any power cables such that they will not be tripped over, pulled, or come into contact with hot surfaces.
6. Always unplug the fixture from the power outlet before cleaning, servicing, or when not in use. Never pull on the power cord to unplug from the outlet.
7. Allow the fixture to cool down completely before storing. Unplug all cables and store them properly. If a carrying case is used, place cables in their designated compartments.
8. Do not immerse the fixture in water or any other liquid to avoid electric shock.
9. Do not disassemble the fixture to avoid the risk of fire or electric shock. For service, contact cs@aputure.com or consult qualified service personnel. Improper reassembly may result in electric shock when the fixture is in use.
10. Using any accessory not recommended by the manufacturer may increase the risk of fire, electric shock, or personal injury.
11. Power this fixture only by connecting it to a properly grounded outlet.
12. Do not block the ventilation openings. Do not look directly at the LED light source when it is powered on, and never touch the LED emitters under any condition.
13. Do not place the fixture near flammable materials or volatile solvents, as this may cause damage.
14. Use a soft, dry cloth to clean the device.
15. When operating in humid or wet environments, ensure that all ports and plugs are completely dry to avoid short circuits or electric shock.

16.If the external flexible cable or cord of this fixture is damaged, it must be replaced by a special cable or cord provided by the manufacturer or its service agent.

17.The light source contained in this fixture shall only be replaced by the manufacturer, its service agent, or similarly qualified personnel.

18.All repair and maintenance must be performed by authorized service personnel only. Any damage caused by unauthorized disassembly is not covered under warranty, and the user shall bear the related repair costs.

19.The low-voltage power supply and DMX circuits are designed with reinforced insulation.

20.This fixture is intended for professional use only. It is certified by RoHS, CE, KC, PSE, and FCC. Please operate the product in accordance with the applicable standards and regulations of your country or region.

21.Malfunctions caused by improper operation are not covered under warranty, and repair costs shall be borne by the user. This user manual is based on thorough in-house testing. Product design and specifications are subject to change without prior notice.

Disclaimer

Before using this product, please read the product manual to ensure correct use under the complete understanding. After reading, please keep the product manual properly for future reference. In case of not operating this product correctly, it may seriously harm yourself or others, or result in product damage and property loss. When using this product, it shall be deemed that you have understood, recognized and accepted all clauses and contents of this document. The user commits to be responsible for their own behaviors and all consequences thereof, amaran shall not be liable for any loss due to the user who does not use this product in accordance with the product manual.

Under the laws and regulations, our company holds the final explanation right of this document and all related documents of this product. No prior notice will be given for any update, revision or termination. Please visit the official amaran website for the latest product information.