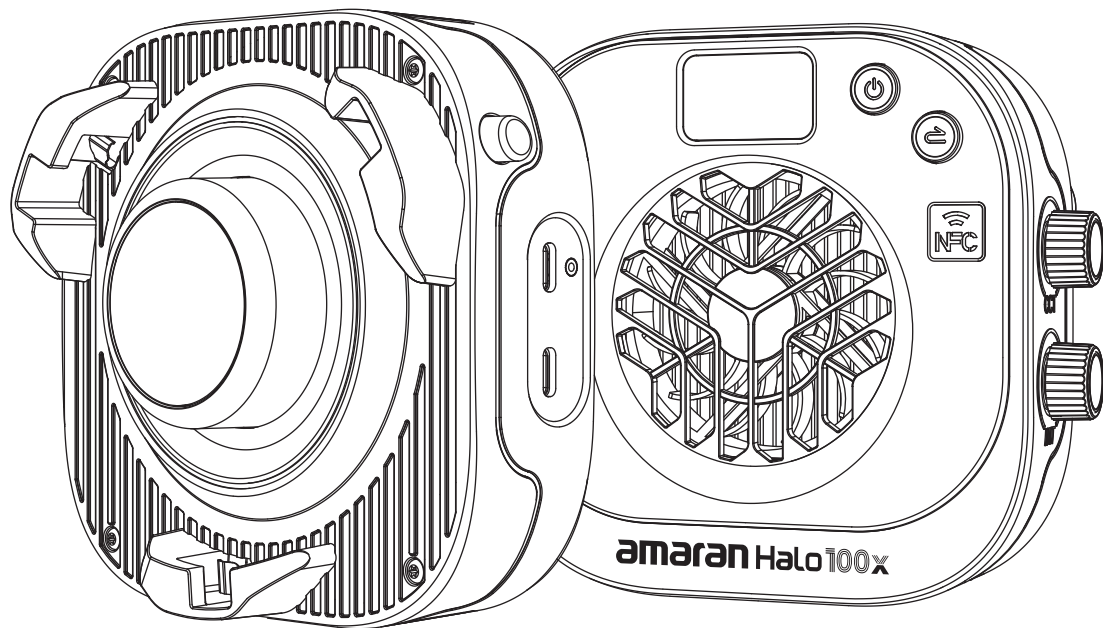


amaran[®]



amaran Halo 60x/100x

Product Manual

English

Table of Content

Introduction.....	03
Components List.....	04
Product Overview-amaran Halo 60x	05
Product Overview-amaran Halo 100x	07
Operations	09
1. Power Supply.....	09
2. Power On/Off	11
3. Light Installation	12
4. Bowens Mount Modifier Installation.....	12
5. Main Menu.....	13
5.1. CCT	13
5.2. FX	13
5.3. Bluetooth Reset.....	13
5.4. Studio Mode	14
5.5. Language.....	14
5.6. DMX Control Settings.....	15
5.7. Fan Mode	15
5.8. Firmware Upgrade	16
5.9. Pairing via NFC	16
Using the amaran App	17
Specifications	18
Photometrics	20
Declaration of Toxic and Hazardous Substances in Electronic Information	22
IC	23
FCC	24
UL	25
CSA	26
Important Safety Instructions	27
Disclaimer	29

Introduction

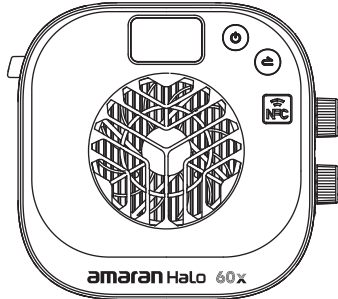
Thank you for purchasing the amaran Halo 60x and amaran Halo 100x.

Designed for home studio creators and everyday setups, The amaran Halo 60x / 100x are bi-color COB lights that deliver bright, reliable output in a compact and portable design. With ultra-bright, accurate light and USB-C PD power, it's the ideal entry point for lighting small spaces with precision. Built with a standard Bowens Mount, it pairs perfectly with various modifiers to diffuse or intensify your output. And with its lightweight build and compact footprint, the amaran Halo 60x and amaran Halo 100x are easy to carry, quick to setup, and convenient to power from anywhere – simplifying your workflow whether you're creating content on the go or in a studio.

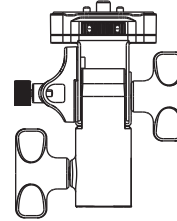
Components List

Please make sure all accessories listed below are complete before using. If not, please contact your sellers immediately.

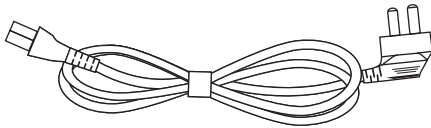
amaran Halo 60x



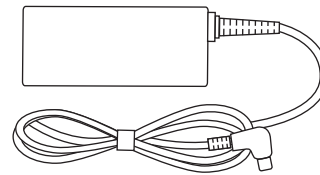
amaran Halo 60x x1



amaran 1/4-20in to Baby Pin Tilt-Adjustable Adapter x1

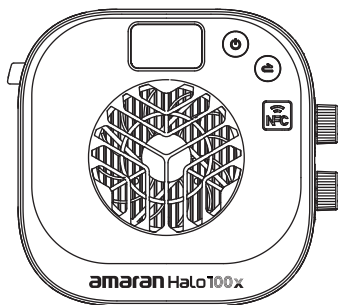


amaran IEC C5 AC Power Cable (2m) x1

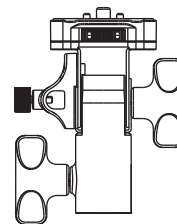


amaran AC to USB-C 65W Power Adapter (2.5m) x1

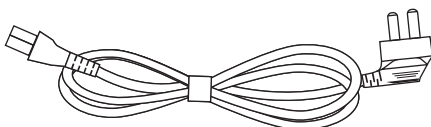
amaran Halo 100x



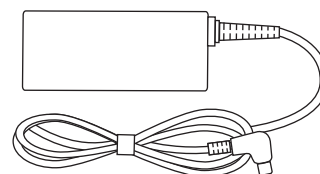
amaran Halo 100x x1



amaran 1/4-20in to Baby Pin Tilt-Adjustable Adapter x1



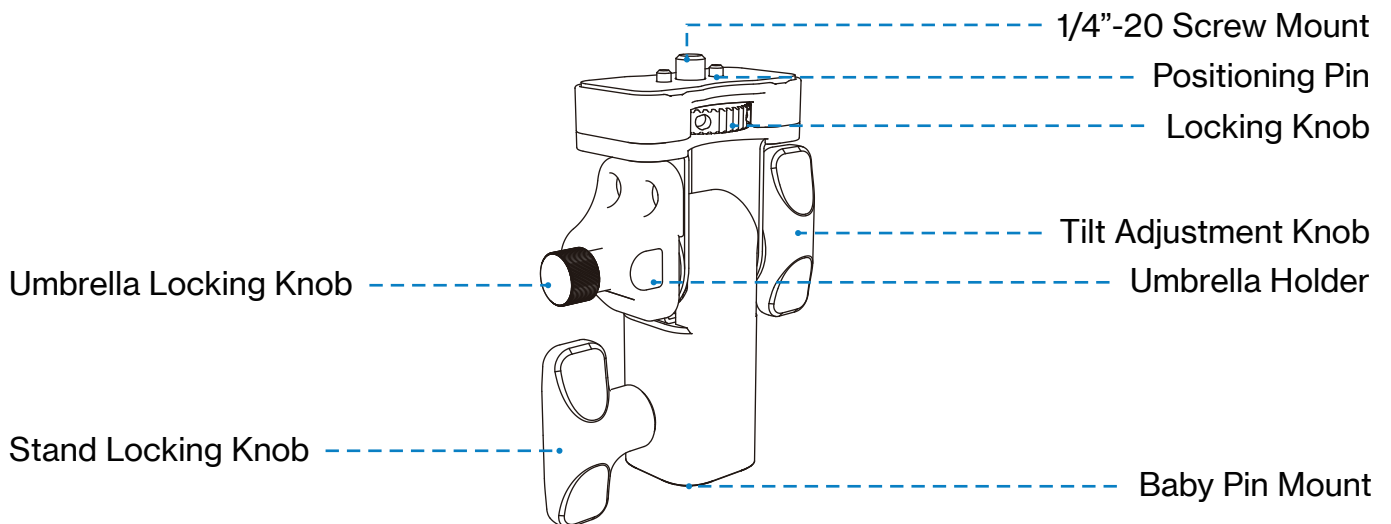
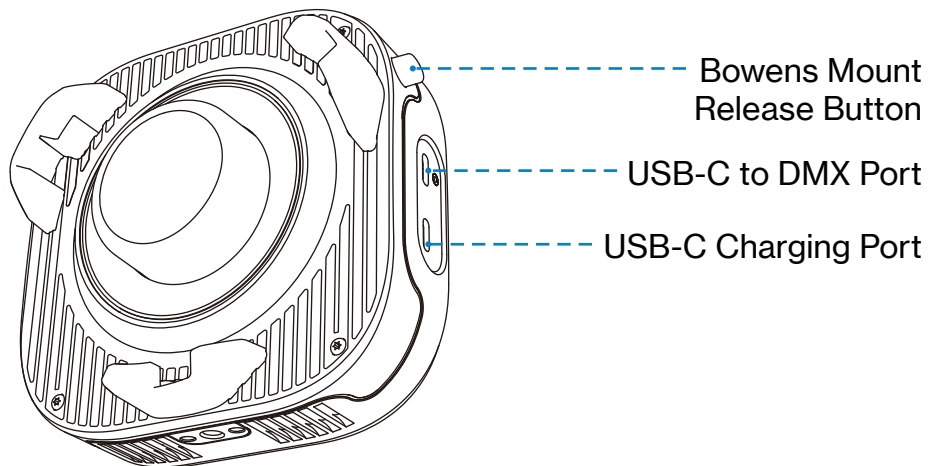
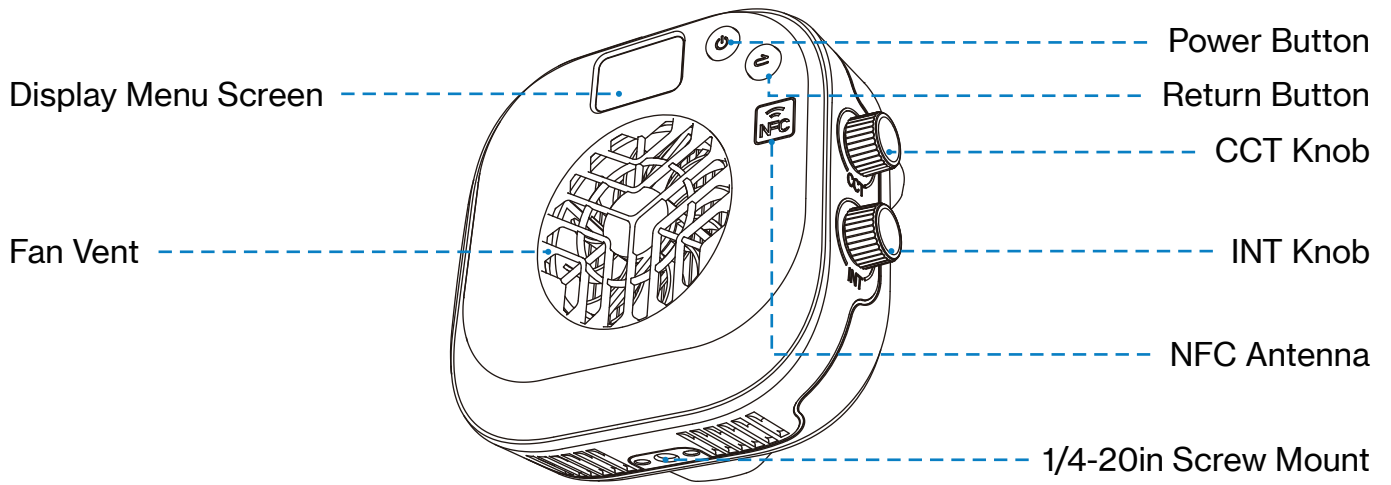
amaran IEC C13 AC Power Cable (2m) x1



amaran AC to DC 100W Power Adapter (2.5m cable) x1

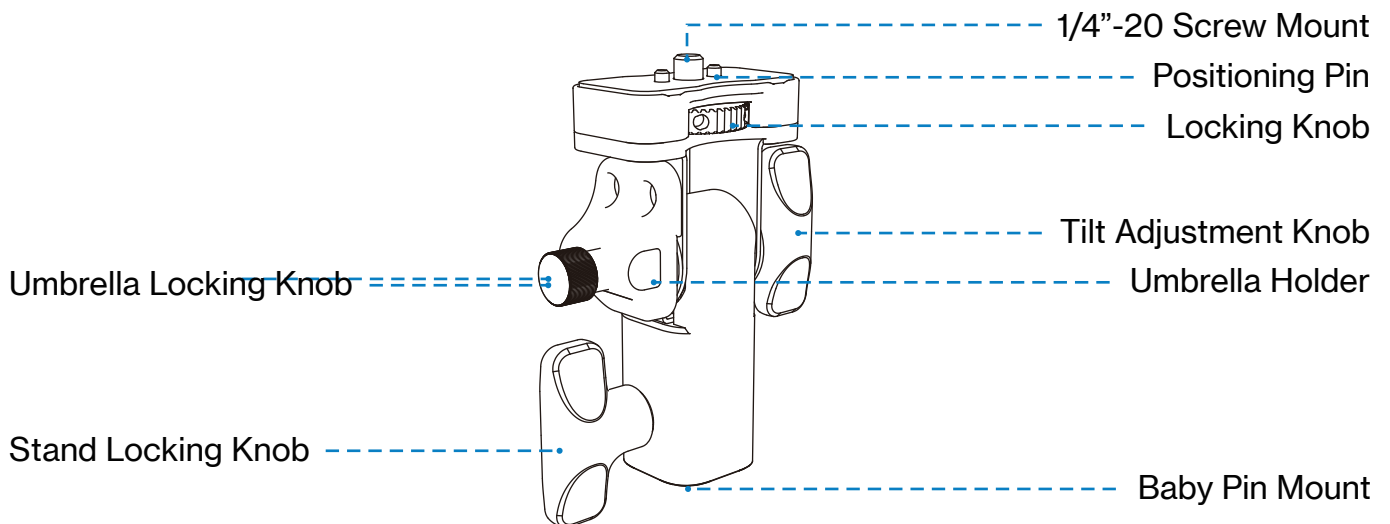
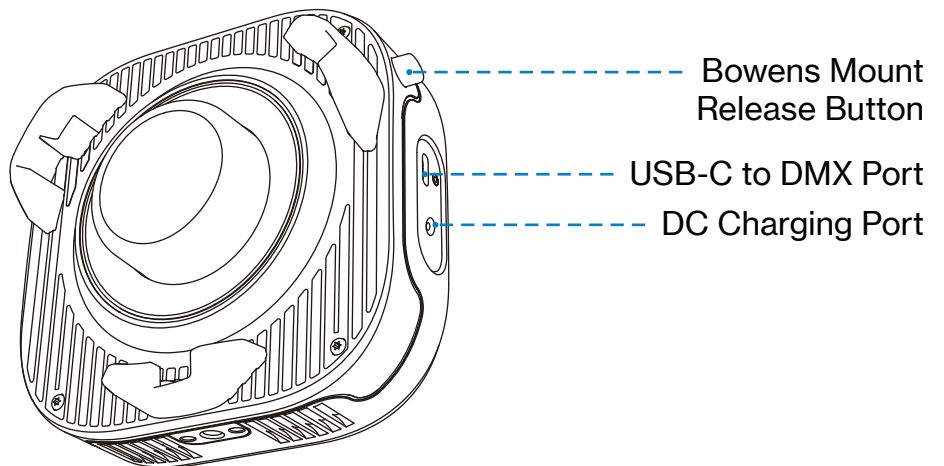
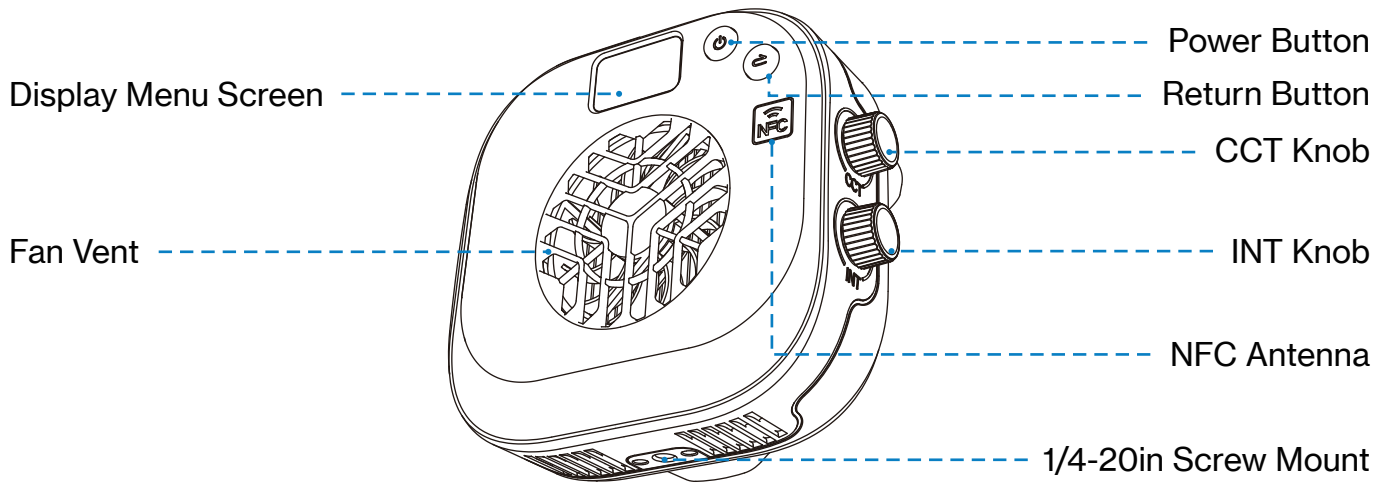
Tip: The illustrations in the manual are diagrams for reference only. Due to the continuous development of new versions of the product, if there are any differences between the product and the user manual diagrams, please refer to the product itself.

Product Overview-amaran Halo 60x



Power Button	Press to turn the light on, press again to turn the light off.
Return Button	Click to return to the previous menu screen.
Display Menu Screen	Displays settings and status of your light.
CCT Knob	In CCT Mode, rotate to adjust CCT. In other menu interfaces, rotate to toggle the menu or adjust values and lighting settings. Press the knob to confirm parameters.
INT Knob	In any interface, rotate to adjust brightness. Press to switch to CCT mode.
1/4-20in Screw Mount	Mount the light onto 1/4-20in tripods or other equipment.
Fan Vent	Helps the light dissipate heat. Please do not block the fan vent when using the light.
NFC Antenna	Used for NFC pairing. When a smartphone is brought close to the light's NFC area, it can quickly trigger a Bluetooth connection, enabling seamless pairing and control via the amaran app without the need to manually search for the device.
Bowens Mount Release Button	Press to release the Bowens Mount accessory.
USB-C to DMX Port	Connect the USB-C to 5-Pin DMX In&Out Adapter* to achieve wired DMX control. This fixture's USB-C port does not support power delivery or firmware updates. <i>*The amaran USB-C to 5-Pin DMX In&Out Adapter is sold separately.</i>
USB-C Charging Port	Used to charge the fixture via a PD-supported power supply.
1/4"-20 Screw Mount	Connects to the 1/4"-20 threaded hole on the bottom of the fixture.
Positioning Pin	Helps align the fixture and prevents unwanted rotation.
Locking Knob	Tighten clockwise to securely fasten the fixture to the adapter.
Tilt Adjustment Knob	Loosen to adjust the tilt angle of the fixture; tighten to lock in place.
Baby Pin Mount	Fits standard Baby Pin light stands for easy mounting.
Umbrella Holder	Compatible with umbrella accessories such as soft umbrellas or reflectors with a shaft diameter of up to 9mm.
Umbrella Locking Knob	Tightens to secure the umbrella shaft and prevent slippage.
Stand Locking Knob	Secures the adapter to the light stand and prevents wobbling or detachment.

Product Overview-amaran Halo 100x



Power Button	Press to turn the light on, press again to turn the light off.
Return Button	Click to return to the previous menu screen.
Display Menu Screen	Displays settings and status of your light.
CCT Knob	In CCT Mode, rotate to adjust CCT. In other menu interfaces, rotate to toggle the menu or adjust values and lighting settings. Press the knob to confirm parameters.
INT Knob	In any interface, rotate to adjust brightness. Press to switch to CCT mode.
1/4-20in Screw Mount	Mount the light onto 1/4-20in tripods or other equipment.
Fan Vent	Helps the light dissipate heat. Please do not block the fan vent when using the light.
NFC Antenna	Used for NFC pairing. When a smartphone is brought close to the light's NFC area, it can quickly trigger a Bluetooth connection, enabling seamless pairing and control via the amaran app without the need to manually search for the device.
Bowens Mount Release Button	Press to release the Bowens Mount accessory.
USB-C to DMX Port	Connect the USB-C to 5-Pin DMX In&Out Adapter* to achieve wired DMX control. The USB-C port of the amaran Halo 100x supports PD power input only and does not support firmware updates. <i>*The amaran USB-C to 5-Pin DMX In&Out Adapter is sold separately.</i>
DC Charging Port	Used to charge the fixture via a PD-supported power supply.
1/4"-20 Screw Mount	Connects to the 1/4"-20 threaded hole on the bottom of the fixture.
Positioning Pin	Helps align the fixture and prevents unwanted rotation.
Locking Knob	Tighten clockwise to securely fasten the fixture to the adapter.
Tilt Adjustment Knob	Loosen to adjust the tilt angle of the fixture; tighten to lock in place.
Baby Pin Mount	Fits standard Baby Pin light stands for easy mounting.
Umbrella Holder	Compatible with umbrella accessories such as soft umbrellas or reflectors with a shaft diameter of up to 9mm.
Umbrella Locking Knob	Tightens to secure the umbrella shaft and prevent slippage.
Stand Locking Knob	Secures the adapter to the light stand and prevents wobbling or detachment.

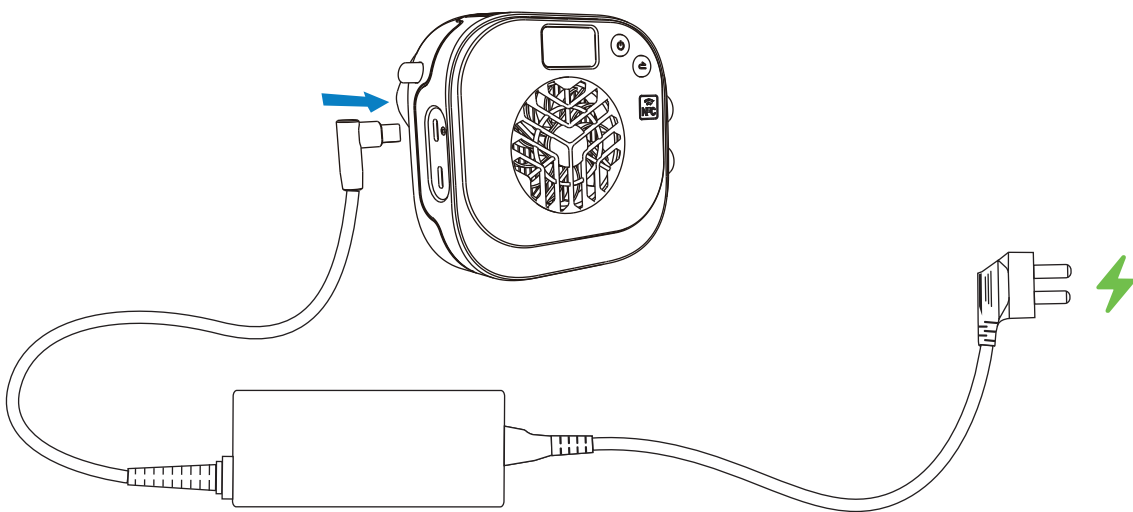
Operations

1. Power Supply

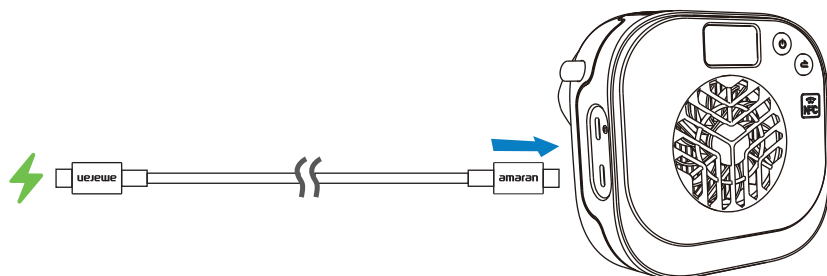
The fixture supports two power supply methods: power input via included adapter, USB-C power input via external power supply.

The power specifications for each input are as follows:

Power Supply Method 1: The amaran Halo 60x is powered using the included amaran AC to USB-C power adapter. The amaran Halo 100x is powered using the included amaran AC to DC power adapter.



Power Supply Method 2: Supply power to the light via other PD power supply devices or power banks. Plug the output port of the PD power supply device into the USB-C Charging Port of the light. If you use a power supply lower than the rated power of the product, the brightness of the lamp will be limited or it will not light up.

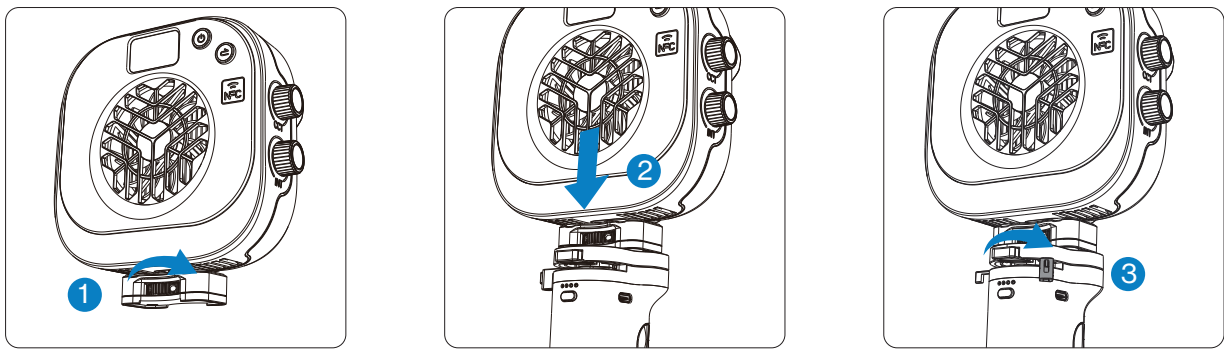


You can use the USB-C port of the amaran Peak or amaran Peak 75 to supply power to the fixture.

Use the amaran Ace E-Lock Adapter (supports 1/4" and 3/8" threaded mounts) to connect the fixture to the battery grip.

Installation steps:

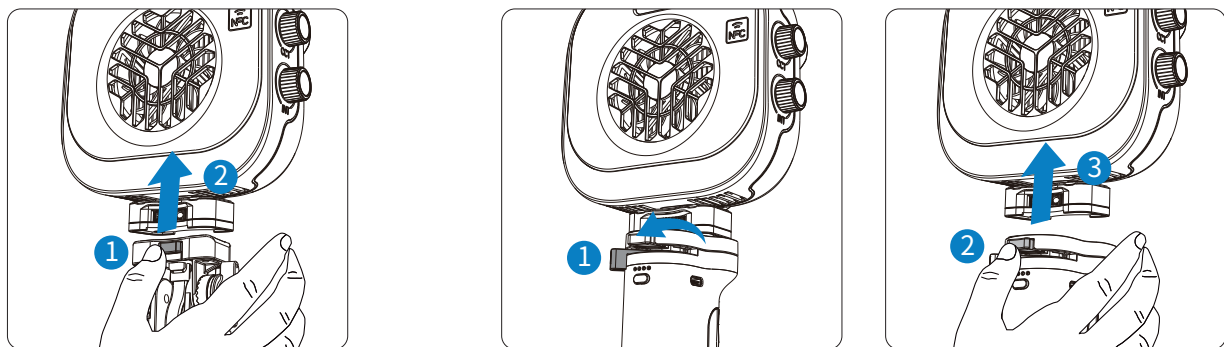
1. Rotate the knurled adjustment dial on the adapter to align the 1/4" screw, then thread it into the mounting hole on the bottom of the fixture.
2. Align the Ace E-Lock interface on the adapter with the Ace Lock latches on the amaran Peak or amaran Peak 75.
3. Press straight downward until you hear a "click," indicating a secure connection.
4. For amaran Peak 75, move the locking lever to the right to the locked position to complete the secure attachment.



Removal Instructions:

amaran Peak: Press the blue release button, then pull the amaran Peak downward to detach it.

amaran Peak 75: First, press the blue button on the locking lever and slide the lever fully to the left. Then press the blue release button and pull the amaran Peak 75 downward to disconnect it.



amaran Peak

amaran Peak 75

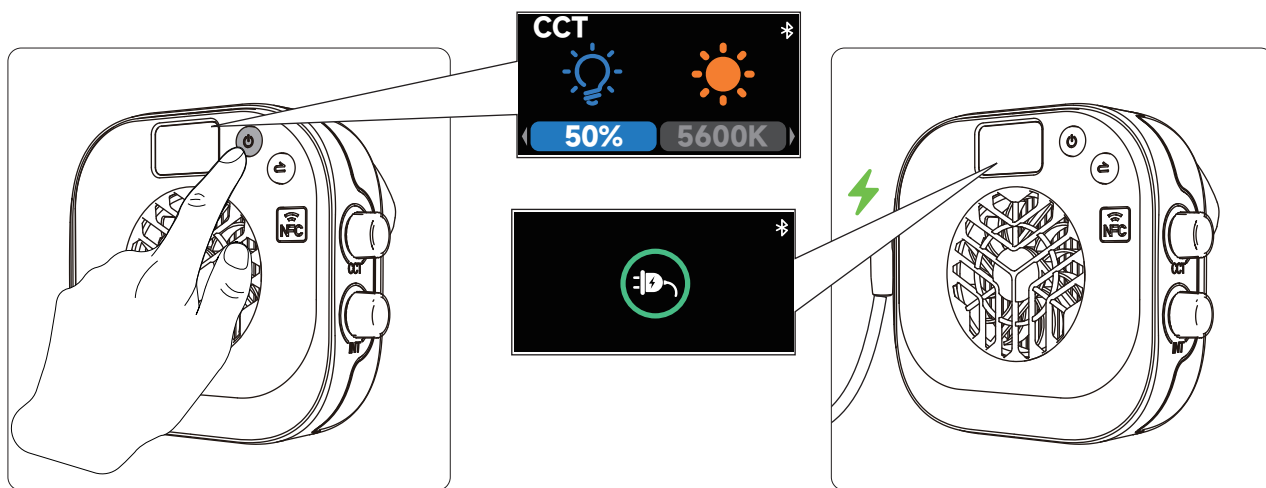
**amaran Ace E-Lock Adapter (1/4" & 3/8" Screw Compatible) (Sold Separately)*

* *The product supports power supply standards of USB PD 3.0 and above, but is not compatible with some third-party private charging protocols. Please ensure to select the appropriate power supply device. If the selected power supply device cannot power the light at full power, a pop-up window will appear on the display menu screen and limit the maximum brightness.*

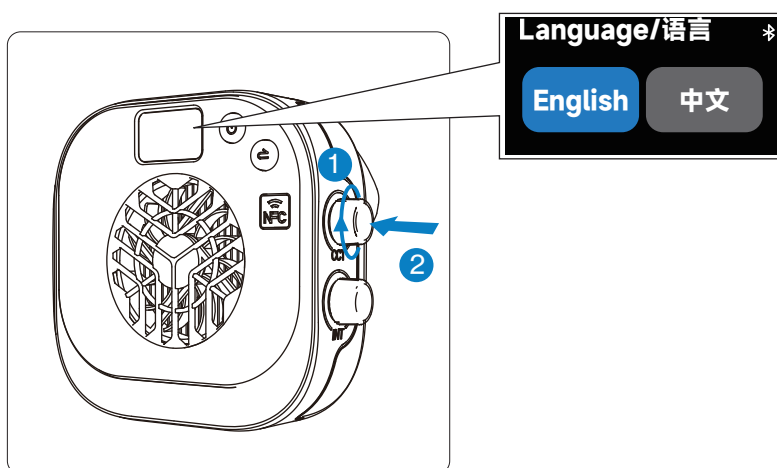
2. Power On/Off

1. After connecting to the power supply, short press the power button to turn on the device, and short press it again to turn off the device. The default mode is CCT mode.

The Power On icon will appear on the menu screen after connecting to power, and will disappear after 30 minutes or when the fixture is turned on.

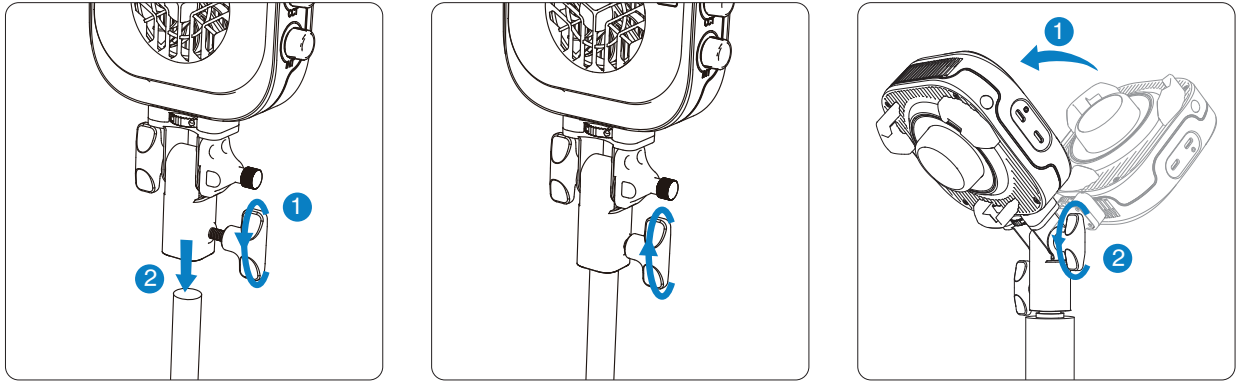


2. You can select your preferred language when you turn the light on for the first time. Rotate the CCT knob to select your language. Click CCT Knob to confirm.



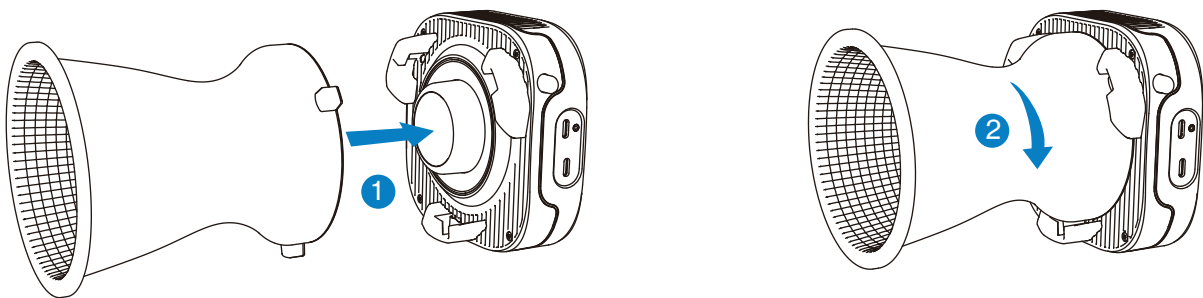
3. Light Installation

With the mounting bracket installed onto the light, place the end of the mounting bracket onto the light stand and turn the locking knob to secure into place. Adjust the angle of the light and turn the tilting bracket knob to secure into place.

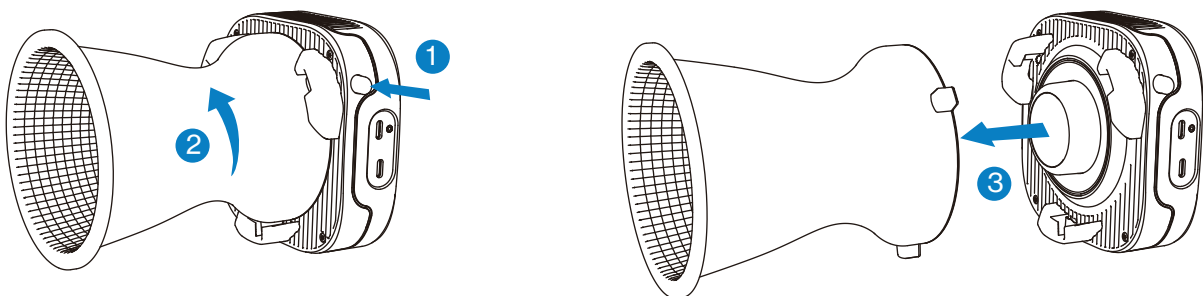


4. Bowens Mount Modifier Installation

1.Modifier Installation: Align the Bowens Mount pins with the Bowens Mount of the fixture. Insert the modifier and rotate clockwise. Installation is complete when the Bowens Mount Release Button pops out.



2.Modifier Removal: Press and hold the Bowens Mount Release Button on the corner of the light. Rotate the modifier counterclockwise to remove.



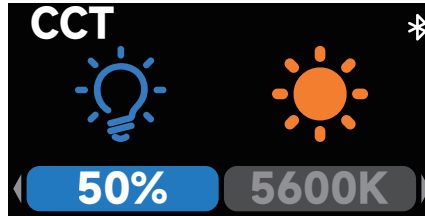
**The amaran Mini Reflector shown in the illustration is sold separately and is not included in the standard package.*

**When replacing with other accessories, please ensure compatibility with the fixture. For detailed compatibility information, refer to the official website.*

5. Main Menu

5.1. CCT

After powering on, the fixture is in CCT mode by default. Rotate the CCT knob on top to adjust the color temperature. Rotate the INT knob on the bottom to adjust the brightness.



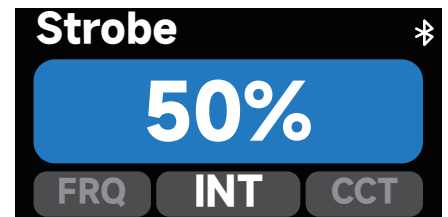
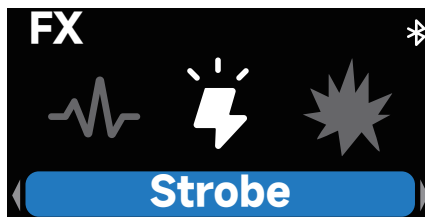
1. INT (Intensity): Adjust your light's brightness from 0%-100%.
2. CCT (Correlated Color Temperature): Adjust your light's color temperature from warm white (2,700K CCT) to cool white (6,500K CCT).
3. Short press the INT knob to quickly switch to CCT Mode, allowing fast adjustment of color temperature and brightness.
4. In any interface, rotating the INT knob directly adjusts the brightness of the fixture.

5.2. FX

In CCT Mode, press the Back button to return to the main menu.

Rotate the CCT knob and press it to select and enter Effects Mode from the main menu.

Once in Effects Mode, rotate the CCT knob to browse the available effects, and press the knob to enter the selected effect settings.

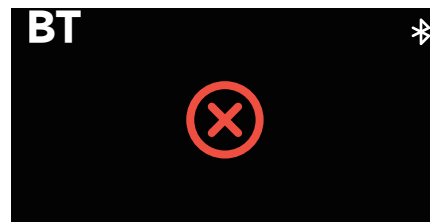
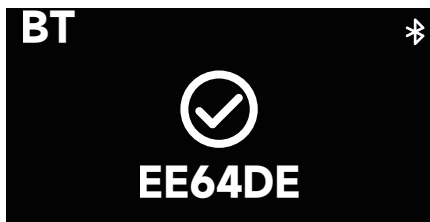


Supported Lighting Effects:

Fireworks	Faulty Bulb	Lightning	TV	Pulsing
Strobe	Explosion	Fire	Paparazzi	/

5.3. Bluetooth Reset

Rotate and press the CCT knob to enter BT mode from the main menu. Hold down on the CCT knob until the end of the progress bar. Release the knob to cancel.



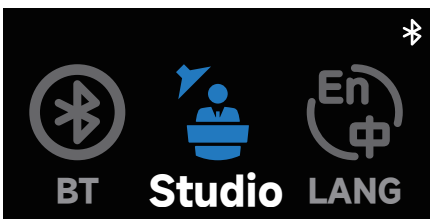
1. Bluetooth reset is successful.
2. Bluetooth reset is unsuccessful. Please reset Bluetooth again.

5.4. Studio Mode

In the main menu, rotate the CCT knob to select Studio Mode, then press the knob to enter the settings interface.

In this mode, rotate the CCT knob to toggle between On and Off, and press the knob to confirm the selection.

When Studio Mode is enabled, the light will automatically turn on upon connecting to power, without the need to manually press the power button.



5.5. LANG (Language)

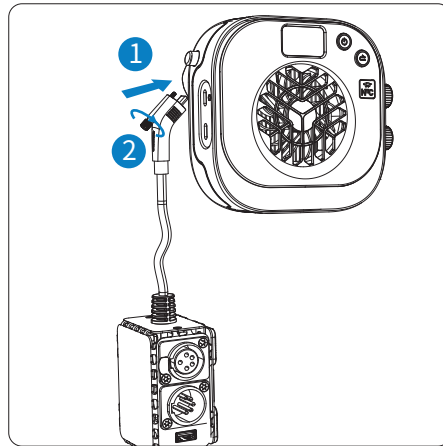
In the main menu, rotate the CCT control knob to select Language, then press the knob to enter the settings interface.

In this menu, rotate the CCT knob to switch between English and Chinese. Press the confirm button to confirm your selection.



5.6. DMX Control Settings

Insert the USB-C connector of *the amaran USB-C to 5-Pin DMX In&Out Adapter into the USB-C port of the fixture, and tighten the locking screw to secure the connection. Velcro straps can be used to secure the adapter in an appropriate position, ensuring stability during use. The USB-A port on the adapter provides a 5V/1A power output.



To enter DMX Mode, follow these steps:

1. Rotate the control knob and press it to select “DMX Mode” from the main menu.

2. Once inside, rotate the knob to toggle between the following options:

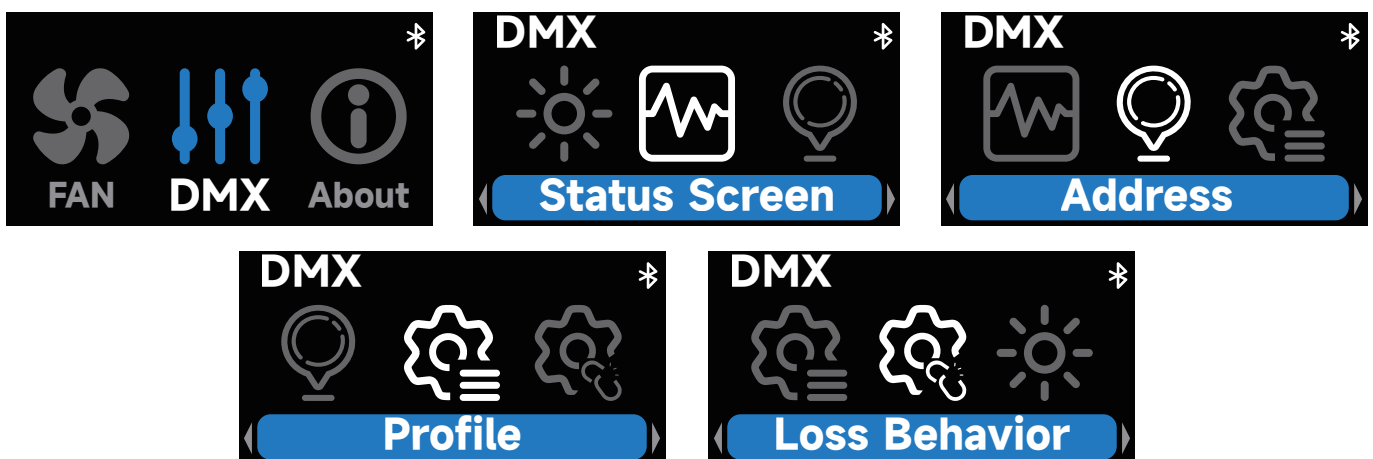
-DMX Status Display: View the current DMX address and selected DMX configuration.

-DMX Address: Set the DMX start address of the fixture, ranging from 1 to 512.

-DMX Signal Loss Behavior: Choose how the fixture responds to DMX signal loss. Options include: Hold Last State, Instant Off, Fade Out, or Hold for 2 Minutes then Fade Out.

-DMX Profile: Select the desired DMX channel profile. For detailed configuration files, please refer to the official documentation.

*The amaran USB-C to 5-Pin DMX In&Out Adapter is sold separately.



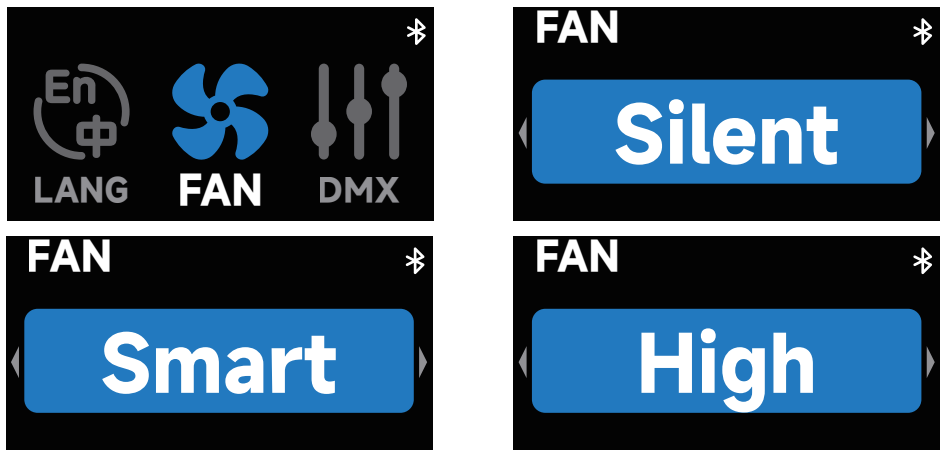
5.7. Fan Mode

Rotate the knob and and press the knob to enter Fan mode from the main menu. In Fan mode, rotate the dial to toggle between Silent and Smart fan mode. Press the knob to confirm your settings.

Silent Mode: The fan will be completely turned off, and the light will not produce any noise. To ensure safe operation, the amaran Halo 60x maximum power will be limited to 11W, the amaran Halo 100x maximum power will be limited to 20W.

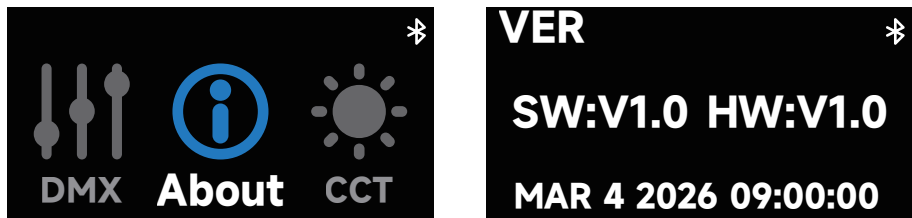
Smart Mode: The fan speed will automatically adjust according to the temperature of the light.

High Mode: The fan runs at maximum speed to provide enhanced cooling performance, ideal for high-load scenarios.



5.8. Firmware Update

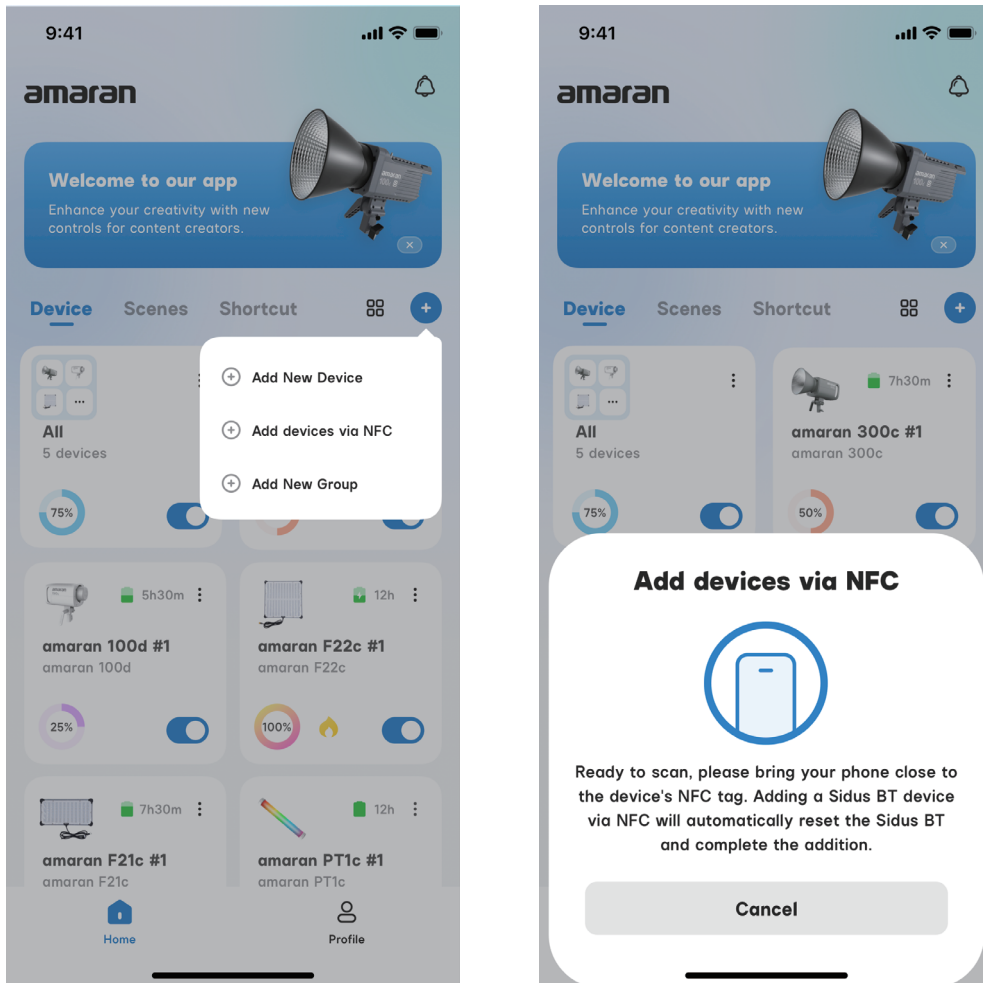
Firmware updates can be performed online via the amaran app, ensuring your device stays up to date with the latest features and performance improvements.



5.9. Pairing via NFC

To pair your light to the amaran app via NFC, open the amaran mobile app, tap the + sign, and select NFC Add Device. Place the NFC sensor area of your phone to the fixture's NFC tag. Hold your phone still until the fixture has been detected and successfully paired before removing your phone.

Even if the light is powered off, pairing via NFC is still supported. The light will automatically connect to the app once it is turned on.



Using the amaran App

You can download the amaran mobile app from the iOS App Store, Google Play Store, and other platforms for enhancing the functionality of the light. You can download the amaran desktop app for Mac and Windows from the amaran website. Please visit amarancreators.com for more details on how to use the app to control your amaran lights.



amaran APP



amarancreators.com

Specifications

amaran Halo 60x			
Power Consumption	63W (Max)	Power Output	56W (Max)
CCT	2,700K - 6,500K	Luminous Flux	6,041 lumens@5600K
CRI	96+	TLCI	97+
TM-30Rf (Average)	94	TM-30Rg (Average)	102
SSI(P3200)	84	SSI(D56)	74
Operating Voltage	AC 100V - 240V/ 50-60Hz	Power Supply Methods	USB-C PD 3.0
Beam Angle	85°	IP Rating	IP20
Control Methods	On-board, amaran App, *DMX Control	Firmware Upgradeable	amaran App
Screen Type	TFT	Wireless Operating Rang (Bluetooth)	≤80m / ≤262.5ft
Cooling Method	Active Cooling	Max Noise Level @ Smart Mode	≤28dBA @25°C
Operating Temperature	-10°C - 40°C / 14°F - 104°F	Storage Temperature	-20°C - 80°C / -4°F - 176°F
Fixture Dimensions	13.4 × 12.0 × 5.8 cm 5.28 × 4.72 × 2.28 in	Fixture Weight	0.42 kg / 0.93 lb
Power Adapter Cable Length	2.5 m / 8.2 ft	AC Power Cable Length	2 m / 6.56 ft

amaran Halo 100x			
Power Consumption	100W (Max)	Power Output	84W (Max)
CCT	2,700K - 6,500K	Luminous Flux	8,722 lumens@5600K
CRI	96+	TLCI	97+
TM-30Rf (Average)	94	TM-30Rg (Average)	102
SSI(P3200)	84	SSI (D56)	74
Operating Voltage	AC 100V - 240V/ 50-60Hz	Power Supply Methods	USB-C PD 3.0 DC 12V-24V
Beam Angle	85°	IP Rating	IP20
Control Methods	On-board, amaran App, *DMX Control	Firmware Upgradeable	amaran App
Screen Type	TFT	Wireless Operating Rang (Bluetooth)	≤80m / ≤262.5ft
Cooling Method	Active Cooling	Max Noise Level @ Smart Mode	≤28dBA @25°C
Operating Temperature	-10°C - 40°C / 14°F - 104°F	Storage Temperature	-20°C - 80°C / -4°F - 176°F
Fixture Dimensions	13.4 × 12.0 × 5.8 cm 5.28 × 4.72 × 2.28 in	Fixture Weight	0.42 kg / 0.93 lb
Power Adapter Cable Length	2.5 m / 8.2 ft	AC Power Cable Length	2 m / 6.56 ft

**The amaran USB-C to 5-Pin DMX In& Out Adapter is sold separately.*

**The above technical specifications are from the Aputure laboratory, and there may be some variation between individual units.*

Photometrics

amaran Halo 60x							
Dis.	CCT	No Access- ories	Light Dome 60	Mini Reflector	Mini Fresnel Spot 15°	Mini Fresnel Flood 30°	
1m	2,700K	2,570 lux	1,760 lux	21,440 lux	22,500 lux	7,270 lux	
		239 fc	164 fc	1,992 fc	2,090 fc	675 fc	
	3,200K	2,800 lux	1,927 lux	23,530 lux	24,510 lux	7,930 lux	
		260 fc	179 fc	2,186 fc	2,277 fc	737 fc	
	4,300K	3,070 lux	2,129 lux	26,000 lux	26,980 lux	8,690 lux	
		285 fc	198 fc	2,415 fc	2,507 fc	807 fc	
	5,600K	3,240 lux	2,255 lux	27,520 lux	28,470 lux	9,140 lux	
		301 fc	209 fc	2,557 fc	2,645 fc	849 fc	
	6,500K	3,270 lux	2,285 lux	27,890 lux	28,770 lux	6,220 lux	
		304 fc	212 fc	2,591 fc	2,673 fc	578 fc	
	3m	2,700K	295 lux	133 lux	2,164 lux	2,514 lux	885 lux
			27 fc	12 fc	201 fc	234 fc	82 fc
3,200K		321 lux	145 lux	2,372 lux	2,720 lux	965 lux	
		30 fc	13 fc	220 fc	253 fc	90 fc	
4,300K		353 lux	160 lux	2,622 lux	2,991 lux	1,058 lux	
		33 fc	15 fc	244 fc	278 fc	98 fc	
5,600K		372 lux	169 lux	2,777 lux	3,150 lux	1,113 lux	
		35 fc	16 fc	258 fc	293 fc	103 fc	
6,500K		375 lux	171 lux	2,812 lux	3,190 lux	1,123 lux	
		35 fc	16 fc	261 fc	296 fc	104 fc	

amaran Halo 100x							
Dis.	CCT	No Access- ories	Light Dome 60	Mini Reflector	Mini Fresnel Spot 15°	Mini Fresnel Flood 30°	
1m	2,700K	3,670 lux	2,417 lux	27,910 lux	28,600 lux	10,010 lux	
		341 fc	225 fc	2,593 fc	2,657 fc	930 fc	
	3,200K	4,360 lux	2,892 lux	33,500 lux	34,300 lux	12,020 lux	
		405 fc	269 fc	3,112 fc	3,187 fc	1,117 fc	
	4,300K	4,890 lux	3,280 lux	38,100 lux	39,000 lux	13,690 lux	
		454 fc	305 fc	3,540 fc	3,623 fc	1,272 fc	
	5,600K	4,860 lux	3,290 lux	38,400 lux	39,200 lux	13,790 lux	
		452 fc	306 fc	3,567 fc	3,642 fc	1,281 fc	
	6,500K	4,630 lux	3,140 lux	36,700 lux	37,500 lux	13,210 lux	
		430 fc	292 fc	3,410 fc	3,484 fc	1,227 fc	
	3m	2,700K	414 lux	182 lux	2,690 lux	2,830 lux	1,173 lux
			38 fc	17 fc	250 fc	263 fc	109 fc
3,200K		492 lux	218 lux	3,230 lux	3,400 lux	1,406 lux	
		46 fc	20 fc	300 fc	316 fc	131 fc	
4,300K		551 lux	247 lux	3,670 lux	3,870 lux	1,601 lux	
		51 fc	23 fc	341 fc	360 fc	149 fc	
5,600K		547 lux	248 lux	3,700 lux	3,890 lux	1,610 lux	
		51 fc	23 fc	344 fc	361 fc	150 fc	
6,500K		521 lux	237 lux	3,540 lux	3,720 lux	1,538 lux	
		48 fc	22 fc	329 fc	346 fc	143 fc	

**The above illuminance data is from the Aputure laboratory, and there may be some variation between individual units.*

Declaration of Toxic and Hazardous Substances in Electronic Information

Component	Toxic and Hazardous Substances or Elements					
	Lead (Pb)	Mercury (Hg)	Cadmium (Cd)	Hexavalent chromium (Cr VI)	Polybrominated biphenyls (PBB)	Polybrominated diphenyl ethers (PBDE)
PCB	X	○	○	○	○	○
Plastic	○	○	○	○	○	○
Metal	X	○	○	○	○	○
Accessories	○	○	○	○	○	○

This table is prepared in accordance with the provisions of SJ/T 11364.

O: Indicates that the content of the toxic and hazardous substance in all homogeneous materials of the component is below the limit specified by GB/T 26572.

X: Indicates that the content of the toxic and hazardous substance exceeds the limit specified by GB/T 26572 in at least one homogeneous material of the component.

The information in this table is provided to suppliers in the form of data and testing results that comply with RoHS environmental requirements.

IC regulatory conformance

This device complies with CAN ICES-003 (B)/NMB-003(B) and CAN RSS-216 / CNR-216.

This device contains licence-exempt transmitter(s)/receiver(s) that comply with Innovation, Science and Economic Development Canada's licence-exempt RSS(s). Operation is subject to the following two conditions:

- (1) This device may not cause interference.
- (2) This device must accept any interference, including interference that may cause undesired operation of the device.

Cet appareil est conforme à la norme CAN ICES-003 (B)/NMB-003 (B) et CAN RSS-216 / CNR-216.

Cet appareil contient des émetteurs / récepteurs exempt (s) de licence qui sont conformes aux RSS exemptes de licence d'Innovation, Sciences et Développement économique Canada. Son fonctionnement est soumis aux deux conditions suivantes:

- (1) Cet appareil ne doit pas provoquer d'interférences.
- (2) Cet appareil doit accepter toute interférence, y compris les interférences susceptibles de provoquer un fonctionnement indésirable de l'appareil.

This equipment complies with IC radiation exposure limits set forth for an uncontrolled environment.

Cet équipement est conforme aux limites d'exposition aux radiations de la IC définies pour un environnement non contrôlé.

FCC

FCC regulatory conformance:

This device complies with Part 15 of the FCC Rules. Operation is subject to the following two conditions:

- (1) This device may not cause harmful interference.
- (2) This device must accept any interference received, including interference that may cause undesired operation.

NOTE

This equipment has been tested and found to comply with the limits for a Class B digital device, pursuant to part 15 of the FCC Rules. These limits are designed to provide reasonable protection against harmful interference in a residential installation.

This equipment generates uses and can radiate radio frequency energy and, if not installed and used in accordance with the instructions, may cause harmful interference to radio communications. However, there is no guarantee that interference will not occur in a particular installation. If this equipment does cause harmful interference to radio or television reception, which can be determined by turning the equipment off and on, the user is encouraged to try to correct the interference by one or more of the following measures:

- Reorient or relocate the receiving antenna.
- Increase the separation between the equipment and receiver.
- Connect the equipment into an outlet on a circuit different from that to which the receiver is connected.
- Consult the dealer or an experienced radio/TV technician for help

NOTE

The manufacturer is not responsible for any radio or TV interference caused by unauthorized modifications to this equipment. Such modifications could void the user's authority to operate the equipment.

This equipment complies with FCC radiation exposure limits set forth for an uncontrolled environment.

UL

NOT FOR RESIDENTIAL USE

NON DESTINÉ À UN USAGE DOMESTIQUE

Notice: This control circuit is not isolated – see installation instructions

Note: ce circuit de commande n'est pas isolé - voir les instructions d'installation

NOT FOR HOUSEHOLD USE

NON DESTINÉ À UN USAGE DOMESTIQUE

DISCONNECT POWER BEFORE SERVICING

COUPER L'ALIMENTATION AVANT L'ENTRETIEN

Important Safety Instructions

When using the amaran Halo 60x and amaran Halo 100x, basic safety precautions should always be followed, including the following:

1. Read and understand all instructions before using the fixture.
2. Close supervision is necessary when any fixture is used by or near children. Do not leave the fixture unattended while in use.
3. Care must be taken as burns can occur from touching hot surfaces.
4. Do not operate the fixture if any power cable is damaged, or if the fixture has been dropped or damaged, until it has been examined by qualified service personnel.
5. Position any power cables such that they will not be tripped over, pulled, or come into contact with hot surfaces.
6. Always unplug the fixture from the power outlet before cleaning, servicing, or when not in use. Never pull on the power cord to unplug from the outlet.
7. Allow the fixture to cool down completely before storing. Unplug all cables and store them properly. If a carrying case is used, place cables in their designated compartments.
8. Do not immerse the fixture in water or any other liquid to avoid electric shock.
9. Do not disassemble the fixture to avoid the risk of fire or electric shock. For service, contact cs@aputure.com or consult qualified service personnel. Improper reassembly may result in electric shock when the fixture is in use.
10. Using any accessory not recommended by the manufacturer may increase the risk of fire, electric shock, or personal injury.
11. Power this fixture only by connecting it to a properly grounded outlet.
12. Do not block the ventilation openings. Do not look directly at the LED light source when it is powered on, and never touch the LED emitters under any condition.
13. Do not place the fixture near flammable materials or volatile solvents, as this may cause damage.
14. Use a soft, dry cloth to clean the device.
15. When operating in humid or wet environments, ensure that all ports and plugs are completely dry to avoid short circuits or electric shock.

16.If the external flexible cable or cord of this fixture is damaged, it must be replaced by a special cable or cord provided by the manufacturer or its service agent.

17.The light source contained in this fixture shall only be replaced by the manufacturer, its service agent, or similarly qualified personnel.

18.All repair and maintenance must be performed by authorized service personnel only. Any damage caused by unauthorized disassembly is not covered under warranty, and the user shall bear the related repair costs.

19.The low-voltage power supply and DMX circuits are designed with reinforced insulation.

20.This fixture is intended for professional use only. It is certified by RoHS, CE, KC, PSE, and FCC. Please operate the product in accordance with the applicable standards and regulations of your country or region.

21.Malfunctions caused by improper operation are not covered under warranty, and repair costs shall be borne by the user. This user manual is based on thorough in-house testing. Product design and specifications are subject to change without prior notice.

Disclaimer

Before using this product, please read the product manual to ensure correct use under the complete understanding. After reading, please keep the product manual properly for future reference. In case of not operating this product correctly, it may seriously harm yourself or others, or result in product damage and property loss. When using this product, it shall be deemed that you have understood, recognized and accepted all clauses and contents of this document. The user commits to be responsible for their own behaviors and all consequences thereof, amaran shall not be liable for any loss due to the user who does not use this product in accordance with the product manual.

Under the laws and regulations, our company holds the final explanation right of this document and all related documents of this product. No prior notice will be given for any update, revision or termination. Please visit the official amaran website for the latest product information.